

Technical Data:

Material:

- Solder Pin: Brass with Tin plated
- Insulator body(housing): Polyamide(Glass filled)(UL94V-0)

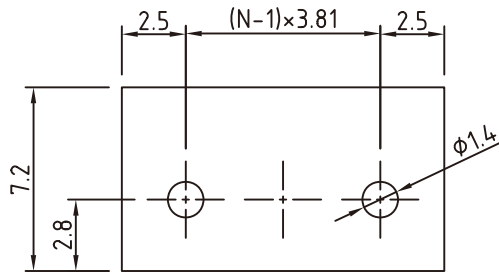
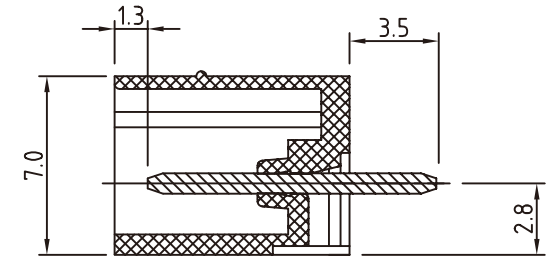
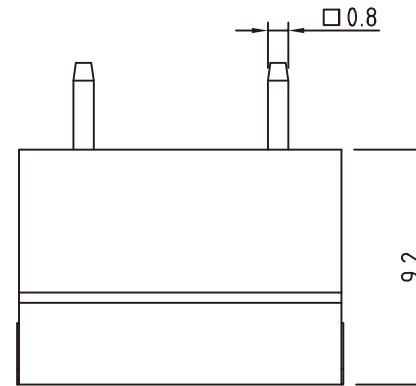
Electrical

- Voltage rating: 125VAC
- Current rating: 8A.
- Insulation resistance: 500MΩ at DC 500V
- Withstanding Voltage: AC 1200V(1min)

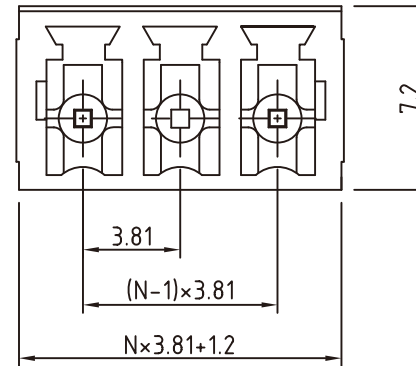
Mechanical:

- Using temperature Range: -40°C to +105°C
- Soldering temperature: +250°, 5seconds Max.

Safety approval data: 



P.C.B. LAYOUT



N=Number of contacts

RoHS Compliant

TOLERANCES ARE

MORETHANALL
PCB CONNECTORS
Cable ASSEMBLIES

煜倫股份有限公司

www.morethanall.com

DRAWING BY CY

CHECKED BY GENIUS

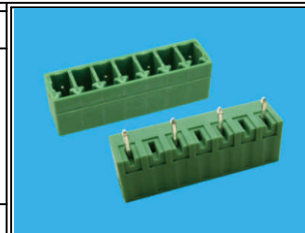
UNIT/mm SCALE 1:1

DATE

SIZE A4

PROJECTION 

X. ±
.X ±
.XX ±
.XXX ±
ANG ±



ORDER INFORMATION

TBH038-PDCEE-xx-LF

SERIES | LEADFREE
| 02~12WAY
| EMPTY EVEN PIN
CAGE
DIP 180°
MALE

DESCRIPTION: