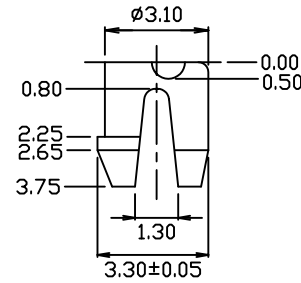
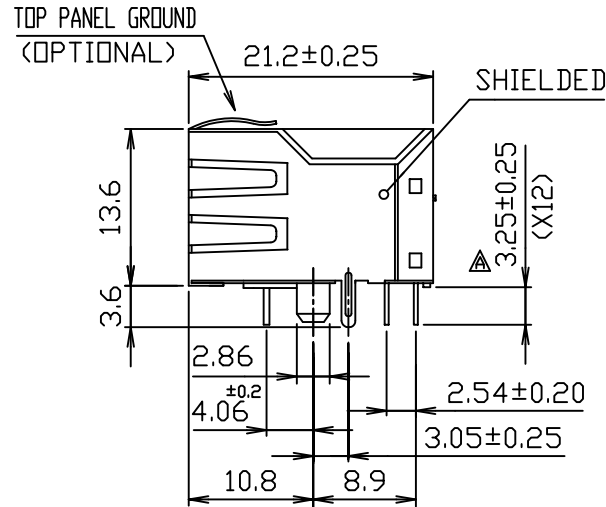
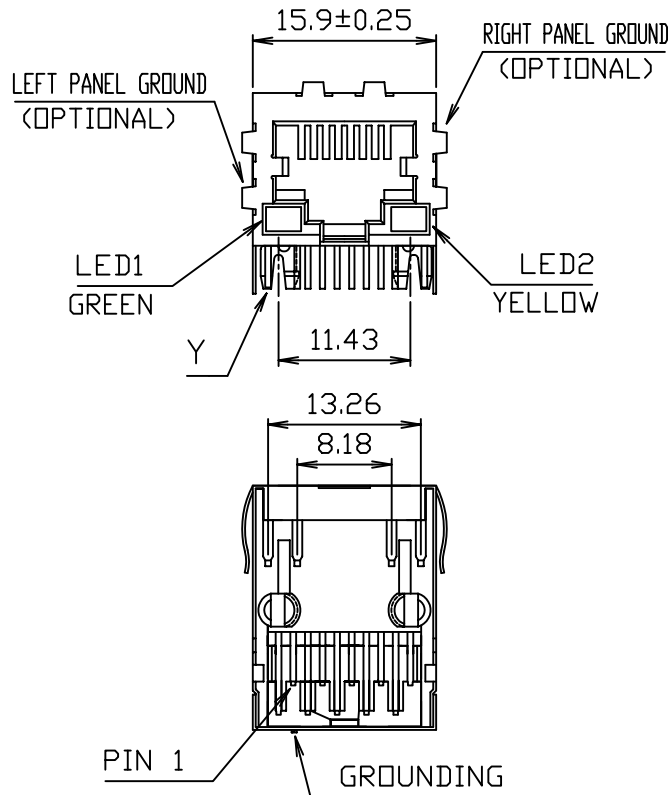


LOGO  
(OPTIONAL)



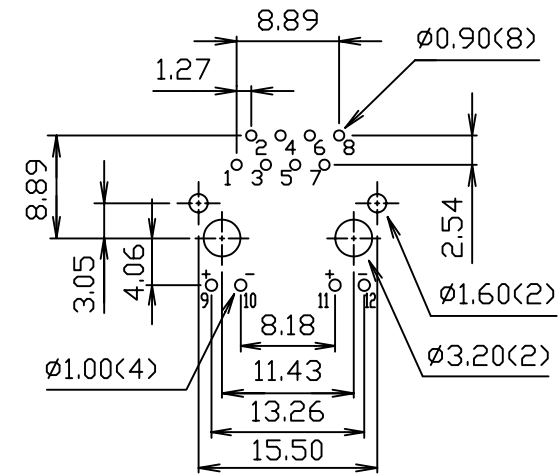
**DETAIL Y**

**MATERIALS:**

- HOUSING-PBT POLYESTER UL94V-0 MIXED GLASS FIBER. STANDARD COLOR-BLACK.
- CONTACTS-0.35mm THICK PHOS-BRONZE PLATED WITH HARD GOLD AND TIN/LEAD IN SOLDER AREA.
- SHIELD-0.25mm THICK COPPER ALLOY, PLATED WITH NICKEL.

CAVITY CONFIRMS TO FCC RULES AND REGULATIONS PART 68,SUBPART F.

Operating Temperature:-40°C to 105°C



PC Board Layout Ref.

**RoHS Compliant**

TOLERANCES ARE

**MORETHANALL**  
PCB CONNECTORS  
Cable ASSEMBLIES

DRAWING BY CY

X, ±

CHECKED BY GENIUS

.X ±

UNIT / mm

SCALE 1 : 1

.XX ±

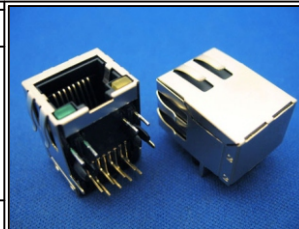
DATE

.XXX ±

ANG ±

SIZE A4

PPOJECTION



**ORDER INFORMATION**

**MJF13T45L-KF06B3GY-0808**

SERIES

BLACK

8P8C

LED1

GREEN

06u" GOLD

REAR TAB 3.05mm

FULL SPRING

LED2

GREEN /YELLOW

REAR TAB 3.05mm

FULL SPRING

**煜倫股份有限公司**

[www.morethanall.com](http://www.morethanall.com)

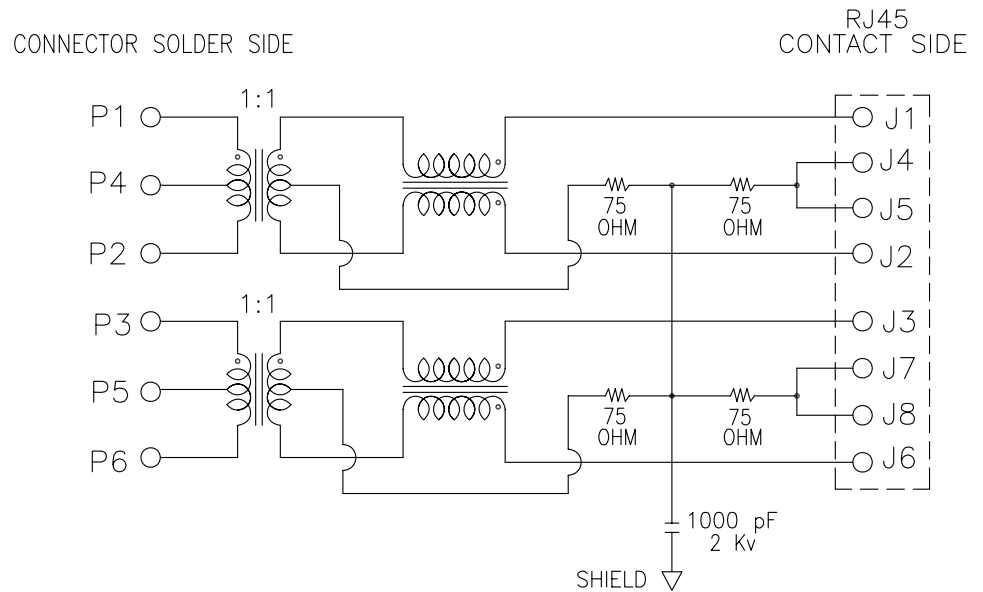
DESCRIPTION: SINGLE PORT, RJ45, SHIELDED, WITH LED WITH TRANSFORMER, SIDE ENTRY PCB JACK

# TRANSFORMER

## ELECTRICAL CHARACTERISTICS

TEST NOTES: (25°±5°C)

- TR: (100KHz, 0.1V);  
PINS:(1-2):(J1-J2)=1CT:1CT±3%;  
PINS:(3-6):(J3-J6)=1CT:1CT±3%;
- LX: (100KHz, 100mV, 8mA, DC Bias)  
PINS: (1,2),(3,6)=350uH MINIMUM
- DCR:  
PINS: (1-2),(J3-J6),(J1-J2)=1.0 OHMS MAXIMUM.  
PINS: (3-6)=1.2 OHMS MAXIMUM.
- HIPOT:  
PINS(1,4,2)TO(J1,J2)=1500VAC FOR 60 SECONDS  
PINS(3,5,6)TO(J3,J6)=1500VAC FOR 60 SECONDS
- CAPACITOR (1KHz,1V):  
SHIELD TO (J1-J8)=1300pF MAXIMUM AND 700pF MINIMUM
- INSERTION LOSS:  
-1.0dB MAXIMUM AT 0.1MHz TO 100MHz
- RETURN LOSS:  
-20dB MINIMUM AT 1MHz TO 30MHz;  
-15dB MINIMUM AT 30MHz TO 60MHz;  
-10dB MINIMUM AT 60MHz TO 100MHz
- CROSS TALK:  
-30dB MINIMUM AT 1MHz TO 100MHz
- COMMON TO COMMON MODE REJECTION:  
-30dB MINIMUM AT 1MHz TO 100MHz



CONNECTOR SCHEMATIC

**RoHS Compliant**

TOLERANCES ARE

**MORETHANALL**  
PCB CONNECTORS  
Cable ASSEMBLIES

煜倫股份有限公司

www.morethanall.com

DRAWING BY CY

CHECKED BY GENIUS

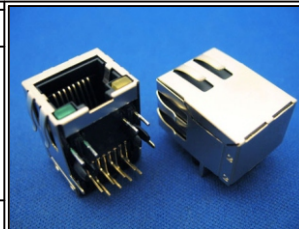
UNIT / mm SCALE 1 : 1

DATE

SIZE A4

X, ±  
.X ±  
.XX ±  
.XXX ±  
ANG ±

PPOJECTION



**ORDER INFORMATION**

**MJF13T45L-KF06B3xx-0808**

SERIES | LED1 | LED2 | 8P8C  
BLACK | GY:GREEN /YELLOW | YG:YELLOW /GREEN  
FULL SPRING | REAR TAB 3.05mm  
06u" GOLD

DESCRIPTION: SINGLE PORT, RJ45, SHIELDED, WITH LED WITH TRANSFORMER, SIDE ENTRY PCB JACK