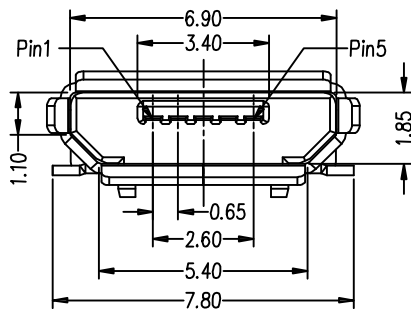


P.C.B. LAYOUT
TOP VIEW ±0.05



MATERIALS

HOUSING: HI-TEMP. PLASTIC (UL 94V-0)
SHELL: COPPER ALLOY, TIN PLATING
TERMINAL: COPPER ALLOY, GOLD PLATED

SPECIFICATION

CURRENT RATING: 1.8 AMP MAX (ONLY PIN 1, 5),
OTHER 1 AMP MAX
DIELECTRIC WITHSTANDING: 100V AC FOR ONE MINUTE
CONTACT RESISTANCE: 30m OHMS MAX
INSULATION RESISTANCE: 100M OHMS MIN AT DC 500V
OPERATION TEMPERATURE: -25°C~+85°C

RoHS Compliant

TOLERANCES ARE

MORETHANALL
PCB CONNECTORS
Cable ASSEMBLIES

DRAWING BY CY

X. ±
.X ± 0.30
.XX ± 0.20
.XXX ± 0.10
ANG ±

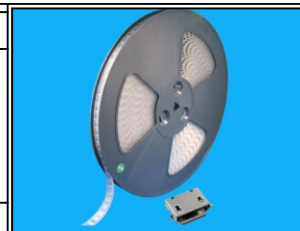
CHECKED BY GENIUS

UNIT / mm SCALE 1 : 1

DATE

SIZE A4

PPOJECTION



ORDER INFORMATION

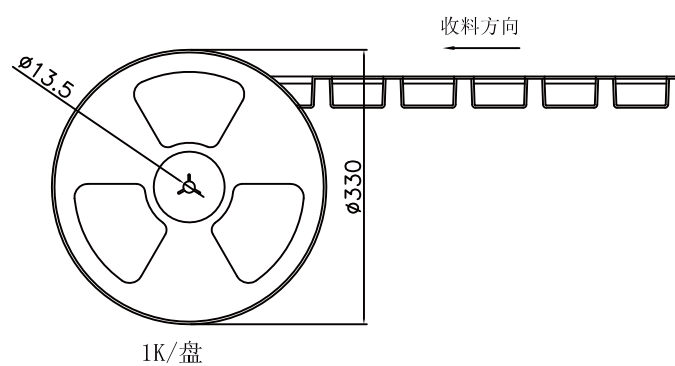
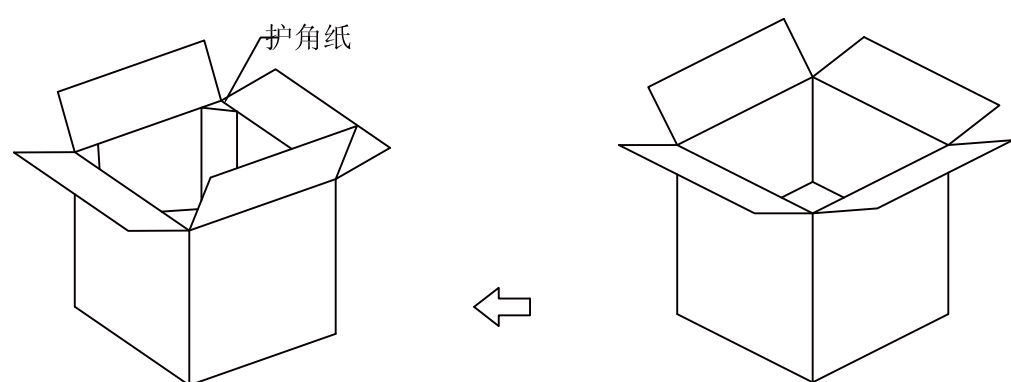
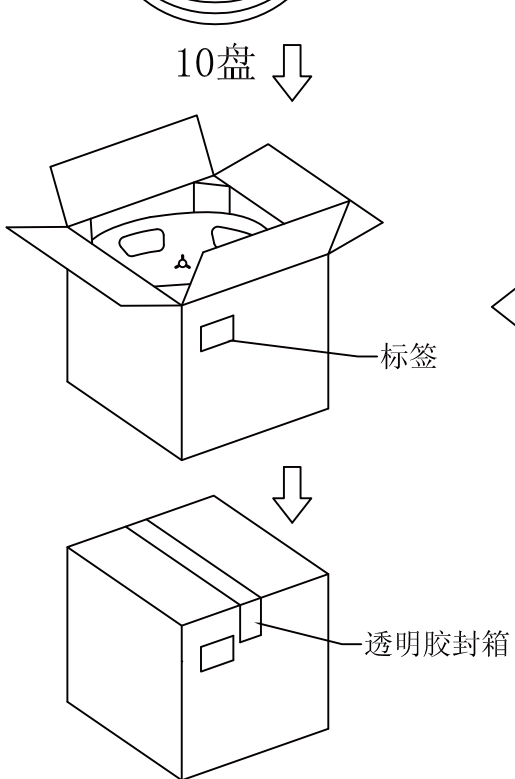
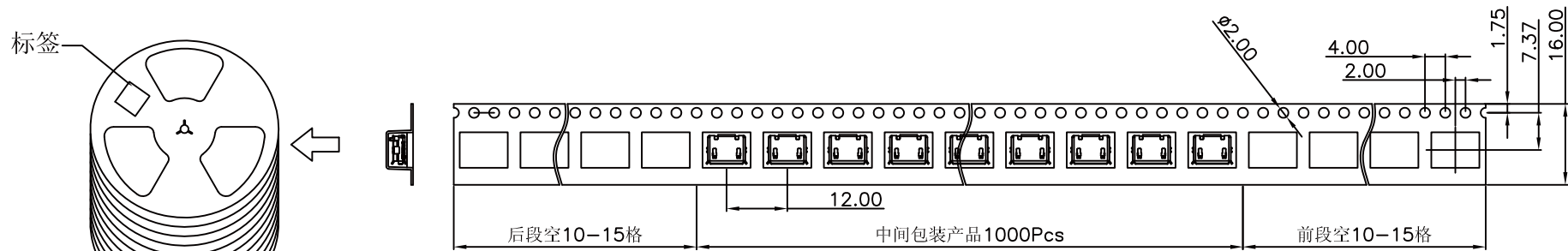
MISB-SWPR-5B-LF

SERIES | | | | LEADFREE
5 PIN B TYPE
REEL
POST
90°SMT
FEMALE

煜倫股份有限公司

www.morethanall.com

DESCRIPTION: MICRO USB B TYPE, SMT, WITH POST, 3.8MM, METAL SHIELD, FEMALE

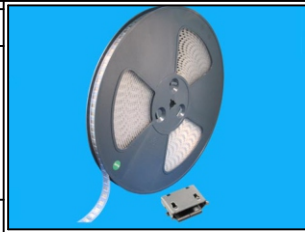


INFORMATION
 PER REEL Q'TY: 1000PCS
 PER CARTON Q'TY: 10 REEL (10000PCS)

10 纸箱规格: 360*360*220mm

RoHS Compliant

TOLERANCES ARE



ORDER INFORMATION

MISB-SWPR-5B-LF
 SERIES | REEL | POST | LEADFREE
 | REEL | 5 PIN B TYPE
 | POST | 90°SMT
 | FEMALE

MORETHANALL
 PCB CONNECTORS
 Cable ASSEMBLIES

煜倫股份有限公司

www.morethanall.com

DRAWING BY CY

CHECKED BY GENIUS

UNIT / mm SCALE 1:1

DATE

SIZE A4 PPROJECTION

X, ±
 .X ± 0.30
 .XX ± 0.20
 .XXX ± 0.10
 ANG ± 3°

DESCRIPTION: MICRO USB B TYPE, SMT, WITH POST, 3.8MM, METAL SHIELD, FEMALE