

Recommended P.C.B. Layout

SPECIFICATIONS

- * Current Rating : 1 Amps
- * Insulator resistance: 5000 Megohms min.
- * Dielectric withstanding: AC 500 V
- * Operating Temperature: -40°-+105°C
- * Max Processing Temp: 230° for 30~60 seconds
(260° for 10 seconds)
- * Contact Material: Phosphor bronze
- * Housing: L.C.P (UL 94 V-0)

RoHS Compliant

TOLERANCES ARE



煜倫股份有限公司

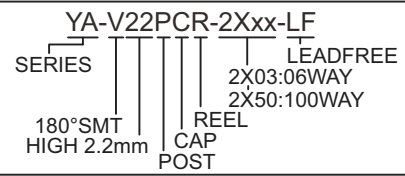
www.morethanall.com

DRAWING BY CY		X. ± 0.50
CHECKED BY GENIUS		.X ± 0.35
UNIT / mm	SCALE 1 : 1	.XX ± 0.25
DATE		.XXX ± 0.05
		ANG ±

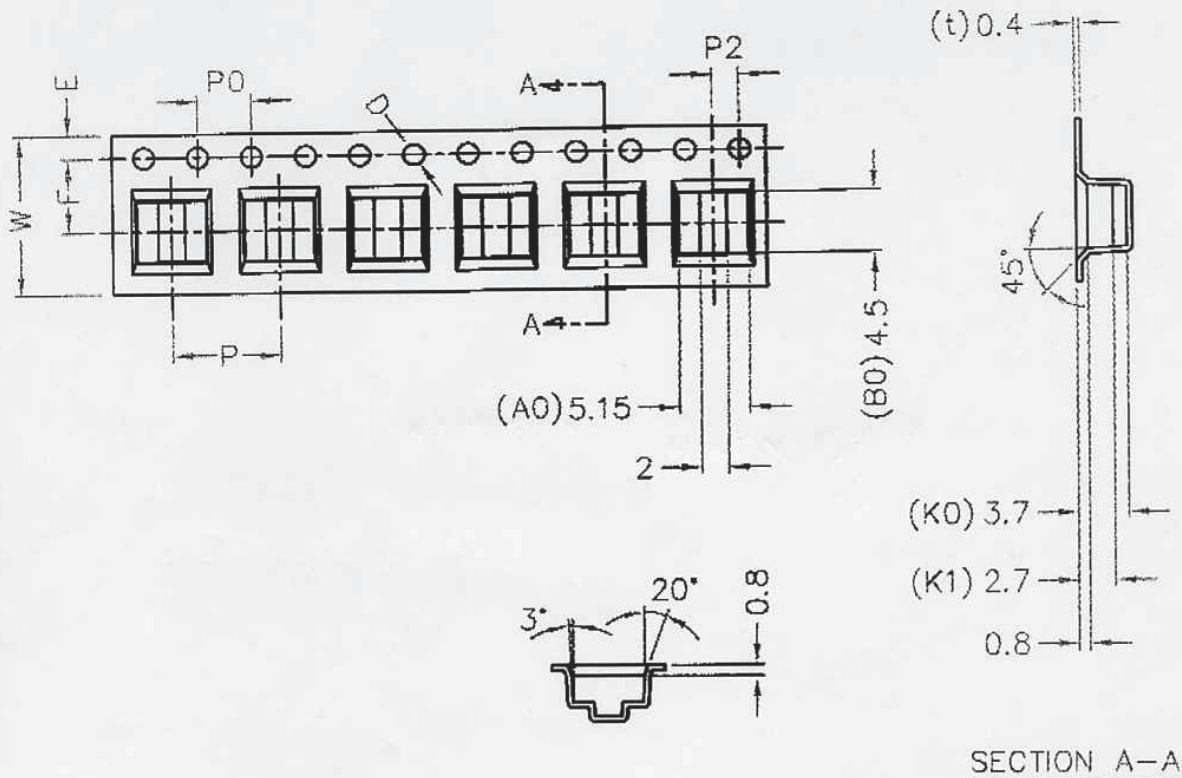
SIZE A4 PPROJECTION



ORDER INFORMATION



DESCRIPTION: 1.27X1.27mm SOCKET LOW PROFILE 2.2mm SMD TYPE



1. 1.10 sprocket hole pitch cumulative tolerance ± 0.20 mm.
2. Carrier camber not to exceed 1mm in 100mm.
3. A_0 and B_0 measured on a plane 0.3mm above the bottom of the pocket.
4. K_0 measured from a plane on the inside bottom of the pocket to the top surface of the carrier.
5. All dimensions meet EIA-481-C requirements.
6. Material: Black Anti-static Polystyrene.
7. Thickness: 0.40 ± 0.05 mm.
8. Packing length per 22" reel : 56 Meters.

SECTION A-A

ITEM	W	A_0	B_0	K_0	K_1	P	F	E	D	D_1	P_0	P_2
DIM	12.0 $+0.30$ -0.30	5.15 $+0.20$ -0.10	4.50 $+0.20$ -0.10	3.70 $+0.20$ -0.10	2.70 $+0.20$ -0.10	8.00 $+0.10$ -0.10	5.50 $+0.10$ -0.10	1.75 $+0.10$ -0.10	1.50 $+0.10$ -0.00	0.00 $+0.25$ -0.00	4.00 $+0.10$ -0.10	2.00 $+0.10$ -0.10
ALTERNATE						問題卷明： (Note:)						
客6確認： Customer Approved:			確認日期： Date:									

RoHS Compliant

TOLERANCES ARE

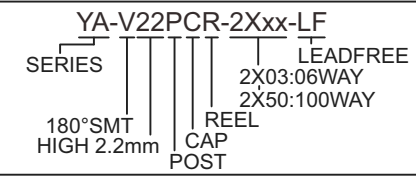


DRAWING BY CY
CHECKED BY GENIUS
UNIT / mm SCALE 1 : 1
DATE
SIZE A4 PPROJECTION

X ± 0.50
.X ± 0.35
.XX ± 0.25
.XXX ± 0.05
ANG \pm



ORDER INFORMATION



DESCRIPTION: 1.27X1.27mm SOCKET LOW PROFILE 2.2mm SMD TYPE

煜倫股份有限公司

www.morethanall.com