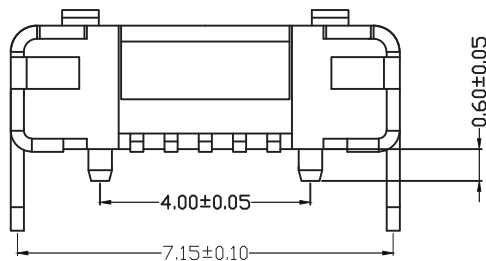
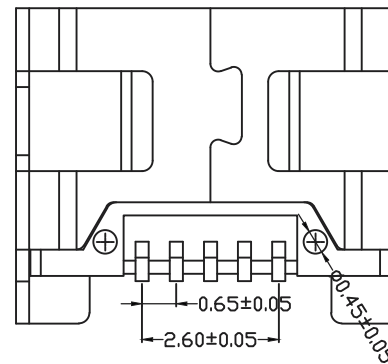
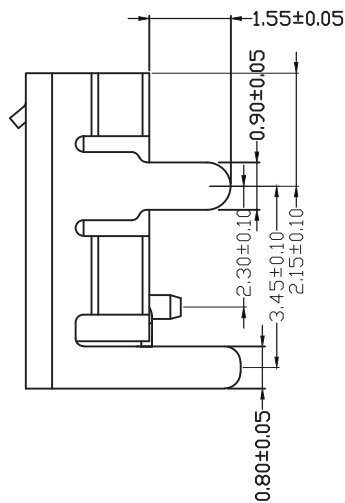
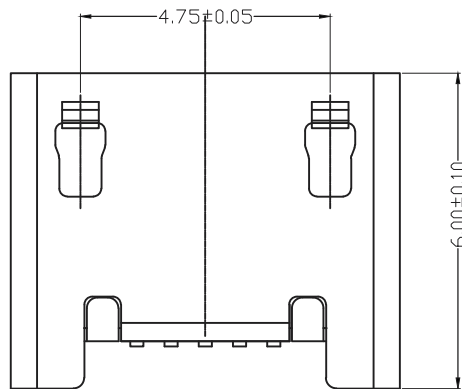


### RECOMMENDED PCB LAYOUT



Note:

1. Material:
  - 1.1 Housing: High temperature thermoplastic with g.f, UL94v-0
  - 1.2 Contact: copper alloy, t=0.20mm
  - 1.3 Shell: SUS, t=0.25mm
2. Specification:
  - 2.1 Current rating: 1 A Max.
  - 2.2 Dielectric withstanding voltage: 100 V(ac) for 1 min.
  - 2.3 Contact resistance: 50 mW Max.
  - 2.4 Insulation resistance: 100 MW Min.
  - 2.5 Total mating force: 3.57 Kgf Max.
  - 2.6 Total unmating force: 1.0 Kgf Min. 0.81~2.05 Kgf Min. after 5000 insertion/extraction cycles
  - 2.7 Temperature range: -30° C~80° C

RoHS Compliant

TOLERANCES ARE

**MORETHANALL**  
PCB CONNECTORS  
Cable ASSEMBLIES

煜倫股份有限公司

www.morethanall.com

DRAWING BY CY

CHECKED BY GENIUS

UNIT / mm SCALE 1 : 1

DATE

SIZE A4

X. ± 0.50

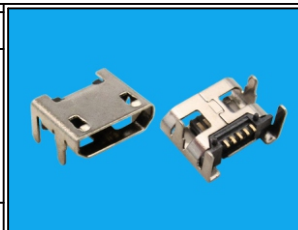
.X ± 0.20

.XX ± 0.10

.XXX ± 0.03

ANG ± 1°

PJECTION



ORDER INFORMATION

MISB-SWFXMM7171P40-5B-LF  
SERIES | LEADFREE  
FEMALE | 5 PIN B TYPE  
NON FLANGE | METAL FOOT 7.15+7.15mm  
90°SMT

DESCRIPTION: