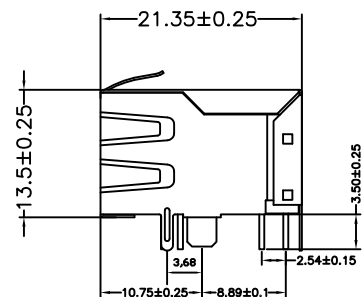
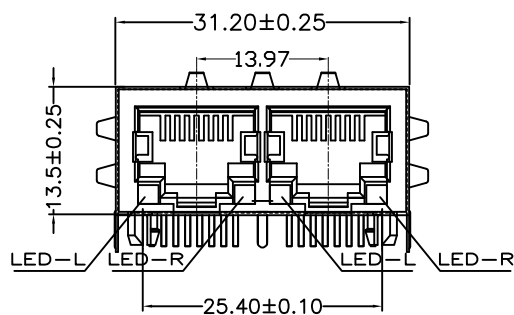


PCB Layout

NOTE:

1. Shielded - 0.20mm THICKNESS BRASS C2680 H. PLATING NICKEL 30u"-50u".
2. Housing- Standard Material Nylon66 30%G.F, Glass Filled Polyester UL94V-0 Standed Color Black.
3. RJ Terminal- Plastic: PBT 30%G.F, UL94V-0, Standard Color Black. Pin: 0.35mm Thickness Phos-Bronze C5210 EH. Plating: Nickel 40u"~60u" for all and Sn 100% and Gold Plating.
4. Input Terminal- Plastic: PBT 30%G.F, Glass Filled, UL94V-0, Standard Color Black. Pin: 0.35mm Thickness Phos-Bronze C2680. Plating: Nickel 40u"~60u" for all and Sn 100%.



Standard LED	Wavelength	Forward*V(MAX)	TYP
Green	565nm	2.5v	2.2v
Yellow	565nm	2.5v	2.1v

With a forward current of 20mA

RoHS Compliant

TOLERANCES ARE

MORETHANALL
PCB CONNECTORS
Cable ASSEMBLIES

DRAWING BY CY

CHECKED BY GENIUS

UNIT / mm

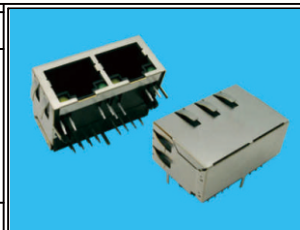
SCALE 1 : 1

DATE

SIZE A4

X, ±
.X ± 0.38
.XX ± 0.20
.XXX ± 0.10
ANG ±

P PROJECTION



ORDER INFORMATION

MJF13T45LA2-KF06A36YG-0808

SERIES

8P8C

LED L / LED R
YELLOW / GREEN
FRONT TAB 3.68mm

BLACK
FULL SPRING

06u" GOLD

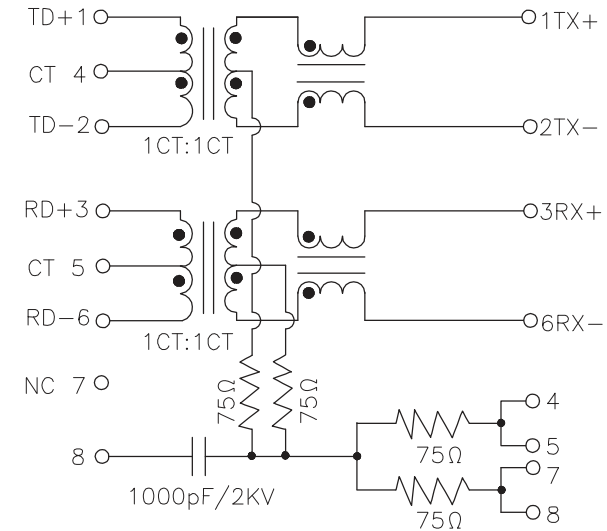
煜倫股份有限公司

www.morethanall.com

DESCRIPTION: RJ45 1X2 TAB-DOWN 10/100 JACK

Electrical Specifications @25°C								
Turns Ratio (±2%)		DCL (uH Min.) @100 KHz/0.1V with 8mA DC Bias	Cross talk (dB Min.)				HI-PDT 1.0 mA (V)	
TX	RX		0.5-10 MHz	30 MHz	50 MHz	100 MHz	WITHOUT CAPACITANCE	WITH CAPACITANCE
1CT:1CT	1CT:1CT	350	-50	-40	-35	-30	1500 AC	2250 DC

Continue							
Insertion Loss (dB Max.)		Return Loss (dB Min.) @ Load 100 OHM					CMR (dB Min.)
1-100 MHz	100-125 MHz (10/100/1000)	1-30 MHz	30-50 MHz	60 MHz	60-80 MHz	80-100 MHz (10/100/1000)	1-100 MHz
-1.0	-1.2	-18	-16	-14	-12	-10	-30



Code	RJ45 Plating			LED Code			
	Contact Area	Solder tail	Under plating	Left LED		Right LED	
				+9,-10	-9,+10	+11,-12	-11,+12
06	6μ" gold	100u" Tin Min.	40u" Nickel Min.	YG Yellow	-	Green	-

RoHS Compliant

TOLERANCES ARE

MORETHANALL
PCB CONNECTORS
Cable ASSEMBLIES

DRAWING BY CY

X, ±

CHECKED BY GENIUS

.X ±

UNIT / mm

SCALE 1:1

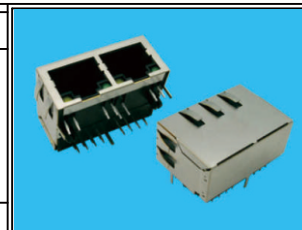
.XXX ±

DATE

ANG ±

SIZE A4

PJECTION



ORDER INFORMATION

MJF13T45LA2-KF06A36YG-0808

SERIES

8P8C

BLACK FULL SPRING
LED L / LED R
YELLOW / GREEN
FRONT TAB 3.68mm
06u" GOLD

煜倫股份有限公司

www.morethanall.com

DESCRIPTION: