

Notes:

Material: Phosphor Bronze(C5191-H)
 SIM Card Connector,With
 Housing: Lep UL 94V-0 Black
 On The Cover Sus 304
 FINISH : Terminal Half Gold Fog Tin Plating
 The Terminal Plating Nickel Is Minimal 50 μ"
 Gold plated contact point 3 μ"
 Tin Welding Point Is Minimal 100 μ"

Specifications:
 Voltage Current Rating: 1A. 50V AC
 Insulation Resistance: 1000Mohm Min
 Contact Withstanding Voltage:
 AC 500V For 1 Minute
 Temperature Rating: -40° To +85°
 Durability: 100000 Cycles Min
 IR Re-Flow:260°C 15Sec Max

RoHS Compliant

TOLERANCES ARE

MORETHANALL
 PCB CONNECTORS
 Cable ASSEMBLIES

DRAWING BY CY

CHECKED BY GENIUS

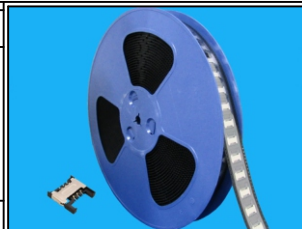
UNIT / mm SCALE 1 : 1

DATE

SIZE A4

X. ±
 .X ±
 .XX ±
 .XXX ±
 ANG ±

P PROJECTION



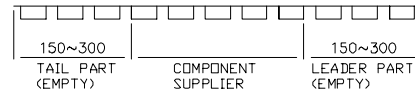
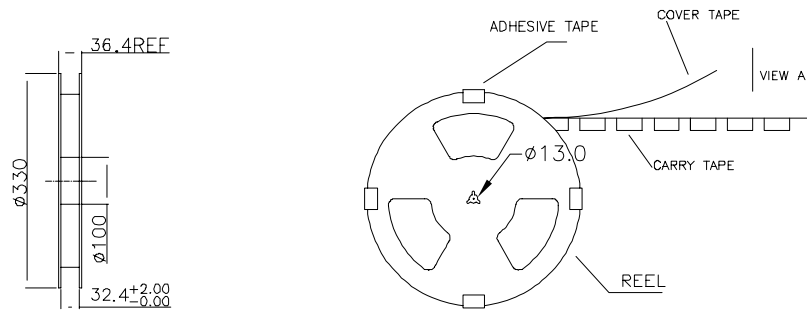
ORDER INFORMATION

SCT-W0928XR-06-LF
 SERIES | | | | LEADFREE
 | | | | 06WAY
 | | | | REEL
 90°SMT | | | | NON POST
 | | | | BODY HIGH 2.8mm
 | | | | PAD TO PAD 9.4mm

DESCRIPTION: SIM CARD 6PIN 2.8H

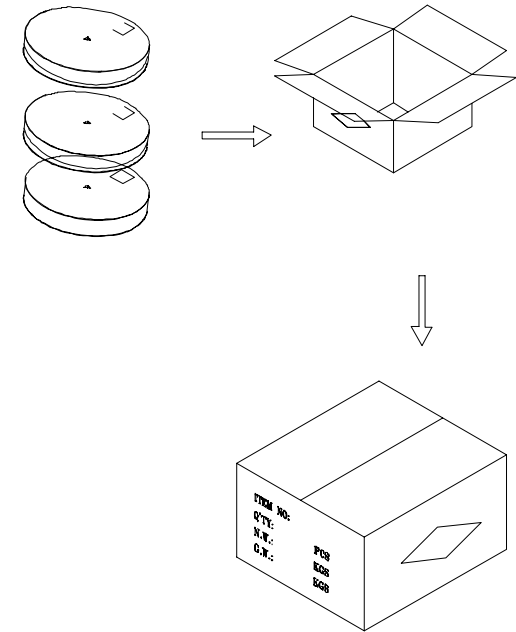
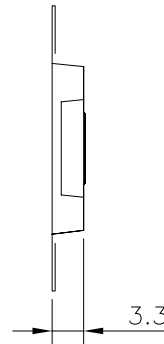
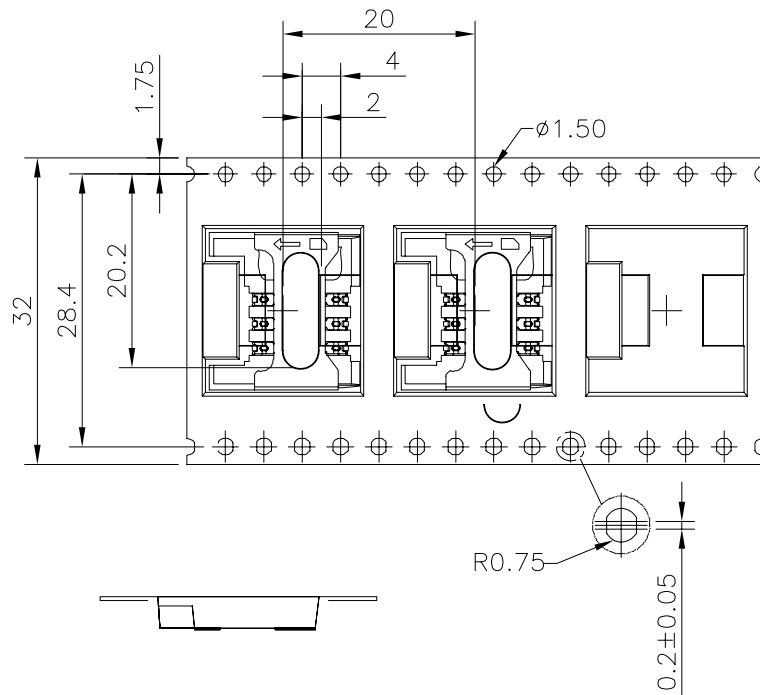
煜倫股份有限公司

www.morethanall.com



NOTE:

1. 每卷裝900pcs
2. 每箱10卷. 9000pcs



RoHS Compliant

TOLERANCES ARE

MORETHANALL
PCB CONNECTORS
Cable ASSEMBLIES

DRAWING BY CY

CHECKED BY GENIUS

UNIT / mm

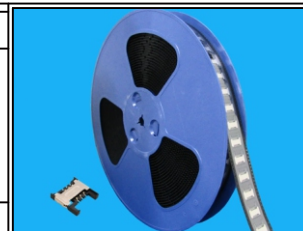
SCALE 1 : 1

DATE

SIZE A4

X, ±
.X ± 0.25
.XX ± 0.15
.XXX ±
ANG ±

PPOJECTION



ORDER INFORMATION

SCT-W0928XR-06-LF
SERIES | | | | LEADFREE
| | | | 06WAY
| | | | REEL
90°SMT | | | | NON POST
| | | | BODY HIGH 2.8mm
| | | | PAD TO PAD 9.4mm

煜倫股份有限公司

www.morethanall.com

DESCRIPTION: