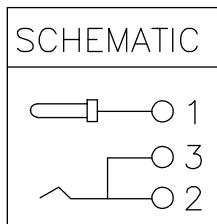
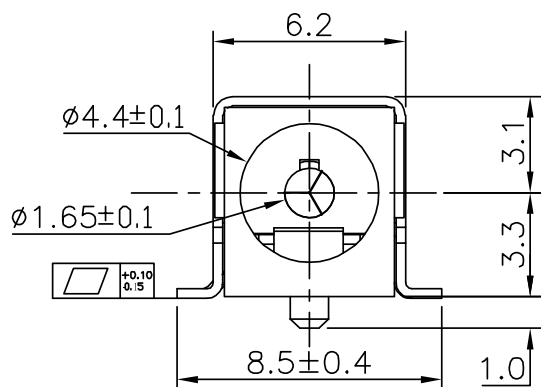


T:1.6 Dimensions of PC board holes  
Tolerance :  $\pm 0.05$ (Printed-top view)



LTR	PART NAME	QTY	MATERIAL	REMARK
5	HOUSING	1	PA9T	UL-94V(BLACK)
4	TERMINAL	1	C2680 t=0.30	Ag PLATED
3	TERMINAL	1	C2680 t=0.30	Ag PLATED
2	TERMINAL	1	C5191 t=0.30	Ag PLATED
1	TERMINAL	1	C2680 t=0.30	Ag PLATED

UNLESS OTHERWISE SPECIFIED, TOLERANCE ON DECIMAL:  $\pm 0.2$

RoHS Compliant

TOLERANCES ARE

**MORETHANALL**  
PCB CONNECTORS  
Cable ASSEMBLIES

DRAWING BY CY

X,  $\pm$

CHECKED BY GENIUS

.X,  $\pm$

UNIT / mm

SCALE 1 : 1

.XX,  $\pm$

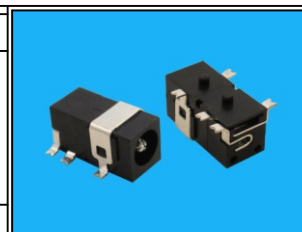
DATE

.XXX,  $\pm$

ANG,  $\pm$

SIZE A4

P PROJECTION



ORDER INFORMATION

DCJ-W44-165-LF  
SERIES | LEADFREE  
1.650  
POST 4.0+4.5mm  
90°SMT

煜倫股份有限公司

www.morethanall.com

DESCRIPTION: DC POWER JACK