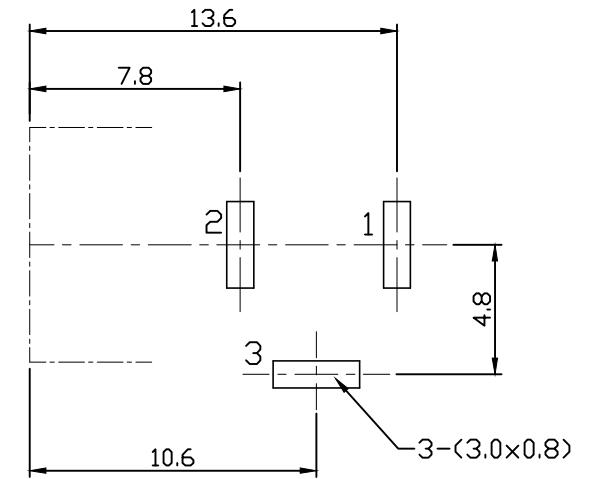
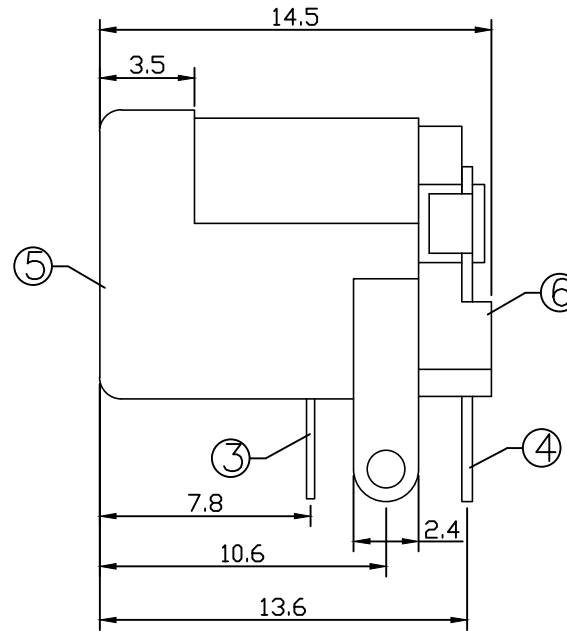
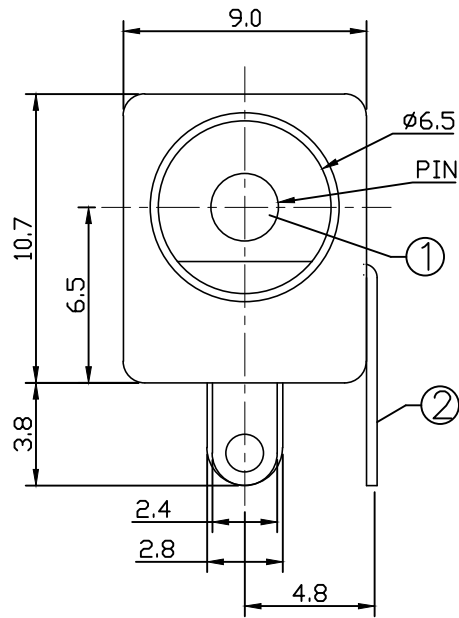


* Rated voltage/ Rated current : 24V/3.5A



T:1.6 Dimensions of PC board holes
Tolerance : ±0.05(Printed-top view)

CAT. NO.	PIN	SCHEMATIC
DCJ-R3A5-20	Ø2.0	
DCJ-R3A5-25	Ø2.5	
DCJ-R3A5-165	Ø1.65	
DCJ-R3A5-235	Ø2.35	

LTR	PART NAME	QTY	MATERIAL	REMARK
6	COVER	1	PBT 4815	UL-94V0
5	HOUSING	1	PBT 4815	UL-94V0
4	FLAT PIECE	1	C2680 t=0.4	Sn PLATED
3	SPRING	1	C5191 t=0.3	Sn PLATED
2	CURVE PIECE	1	C2680 t=0.4	Sn PLATED
1	PIN	1	H59(COPPER ALLOY)	Ni PLATED

UNLESS OTHERWISE SPECIFIED, TOLERANCE ON DECIMAL: ±0.3

RoHS Compliant

TOLERANCES ARE

MORETHANALL
PCB CONNECTORS
Cable ASSEMBLIES

煜倫股份有限公司

www.morethanall.com

DRAWING BY CY

CHECKED BY GENIUS

UNIT/mm SCALE 1:1

DATE

SIZE A4

X.±
.X±
.XX±
.XXX±
ANG±

P PROJECTION



ORDER INFORMATION

DCJ-R3A5-xx-LF

SERIES | LEADFREE
20:2.0Ø
25:2.5Ø
165:1.65Ø
235:2.35Ø
90° | 3.5A

DESCRIPTION: DC POWER JACK