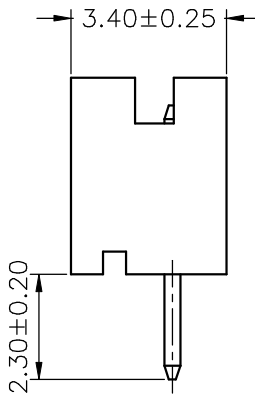
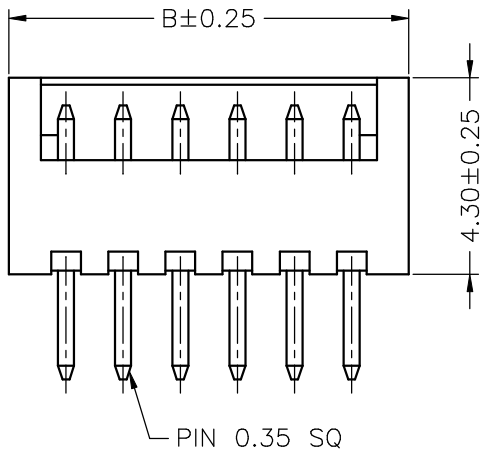
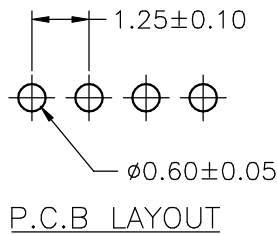
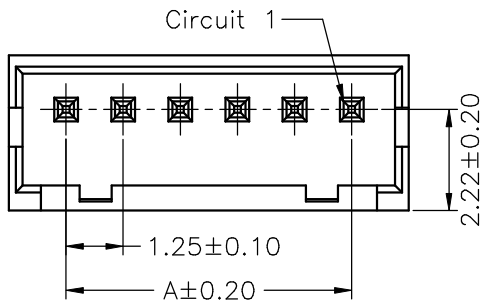


### SPECIFICATIONS

Current Rating: 1A AC,DC  
 Voltage Rating: 150V AC,DC  
 Temperature Range: -25°C ~ +85°C  
 Contact Resistance: 30mΩ Max.  
 Insulation Resistance: 500MΩ Min.  
 Withstanding Voltage: 500V AC/minute  
 Pin Material: Brass/Tin-plated  
 Material: Nylon 66,UL94V-0  
 Pantone Color: 7529C~7530C



### Ordering Information & Dimensions

PART NO.	Dimensions	
	A	B
DF13-D-1X02	1.25	3.75
DF13-D-1X03	2.50	5.00
DF13-D-1X04	3.75	6.25
DF13-D-1X05	5.00	7.50
DF13-D-1X06	6.25	8.75
DF13-D-1X07	7.50	10.00
DF13-D-1X08	8.75	11.25
DF13-D-1X09	10.00	12.50
DF13-D-1X10	11.25	13.75
DF13-D-1X11	12.50	15.00
DF13-D-1X12	13.75	16.25
DF13-D-1X13	15.00	17.50
DF13-D-1X14	16.25	18.75
DF13-D-1X15	17.50	20.00

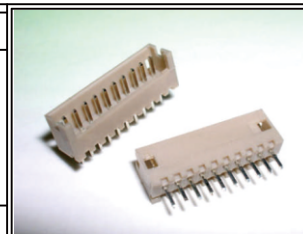
**RoHS Compliant**

TOLERANCES ARE

**MORETHANALL**  
 PCB CONNECTORS  
 Cable ASSEMBLIES

DRAWING BY CY  
 CHECKED BY GENIUS  
 UNIT / mm SCALE 1:1  
 DATE  
 SIZE A4 PROJECTION

X, ±  
 .X ±  
 .XX ±  
 .XXX ±  
 ANG ±



### ORDER INFORMATION

DF13-D-1Xxx-LF  
 SERIES | LEADFREE  
 1X02:02WAY  
 1X15:15WAY  
 DIP 180°

煜倫股份有限公司

www.morethanall.com

DESCRIPTION: 1.25mm PITCH 180° SINGLE ROW WAFER