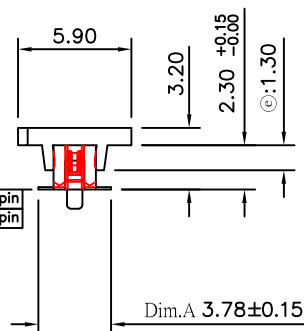
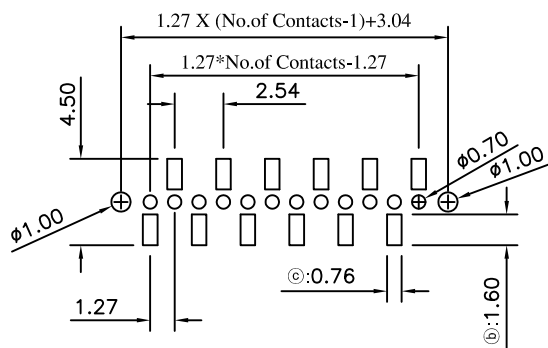
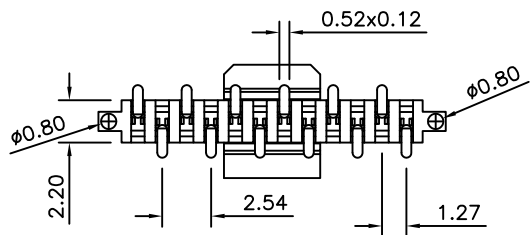


02~10 pin : 0.10mm  
 11~30 pin : 0.20mm  
 31~50 pin : 0.30mm



∅ 0.10 02~35 pin  
 ∅ 0.12 36~50 pin

Recommended P.C. Board  
 SMD Layout



Current Rating and Voltage: 1 Amps 250V AC (r.m.s)  
 Insulator Resistance: 5000 Megohms min  
 Contact Resistance: 20 m ohms max  
 Dielectric Withstanding: 500 V AC  
 Operating Temperature: - 40° ~ +105° C  
 Max Processing Temp: 230° C for 60 seconds  
 Max Processing Temp: 260° C for 10 seconds  
 Contact Material: Phosphor Bronze  
 Insulator Material: High Temperature  
 Plastic,UL 94V-0  
 Finish: Standard: Gold Flash all over

RoHS Compliant

TOLERANCES ARE

**MORETHANALL**  
 PCB CONNECTORS  
 Cable ASSEMBLIES

DRAWING BY CY

X, ±

CHECKED BY GENIUS

.X ± 0.30

UNIT / mm

SCALE 1 : 1

.XX ± 0.20

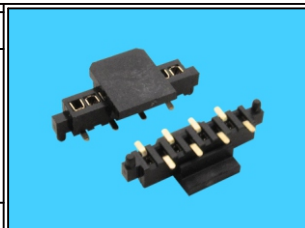
DATE

.XXX ± 0.10

ANG ±

SIZE A4

PJECTION



ORDER INFORMATION

YAX-Z23PC-1XxxL-LF

SERIES | | | LEADFREE  
 | | | L TYPE FOOT POSITION  
 BOTTOM ENTRY SMT | | | 1X02:02WAY  
 HIGH 2.3mm | | | 1X50:50WAY  
 POST | | | CAP

DESCRIPTION:

煜倫股份有限公司

www.morethanall.com