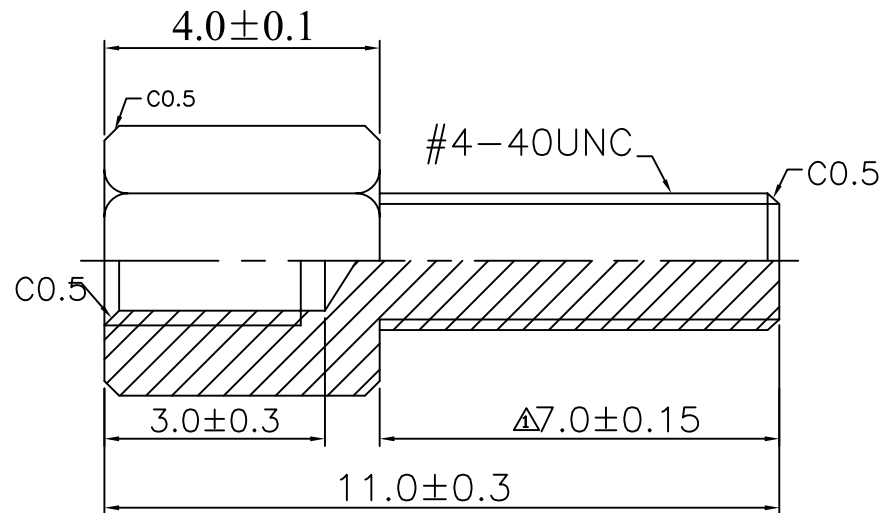
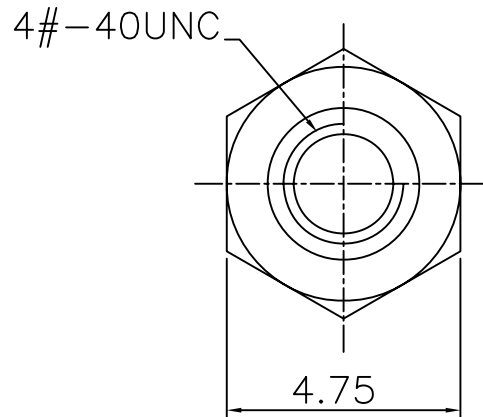


SPECIFICATION

Material: Brass, Nickel Plated
RoHS Compliant



RoHS Compliant

TOLERANCES ARE

MORETHANALL
PCB CONNECTORS
Cable ASSEMBLIES

DRAWING BY CY

CHECKED BY GENIUS

UNIT / mm

SCALE 1:1

DATE

SIZE A4

PROJECTION

X, ±
.X ± 0.30
.XX ± 0.20
.XXX ± 0.10
ANG ± 1°



ORDER INFORMATION

HS-11-N4-LF
SERIES | LEADFREE
| 4-40UNC
| NICKEL
| LONG 11.0mm

煜倫股份有限公司

www.morethanall.com

DESCRIPTION: R-4.75x11.0 (4+7)