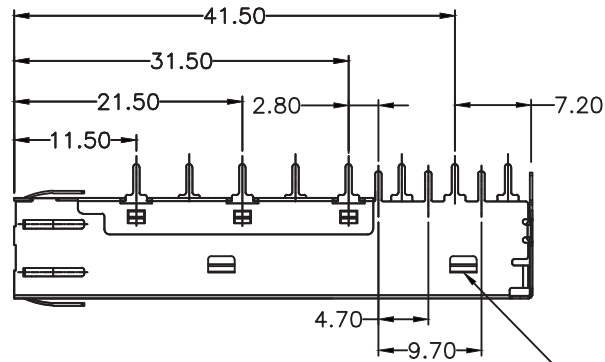
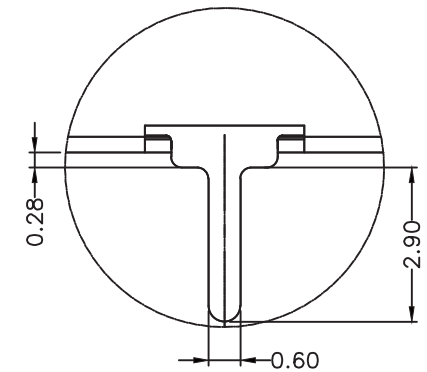
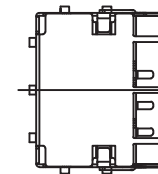
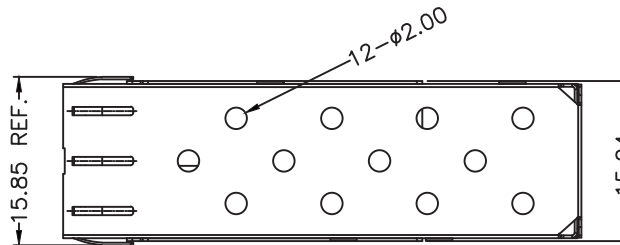
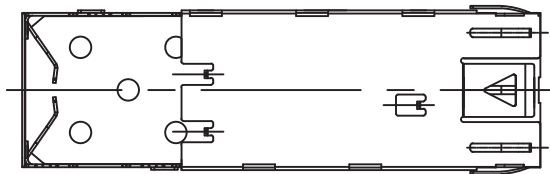


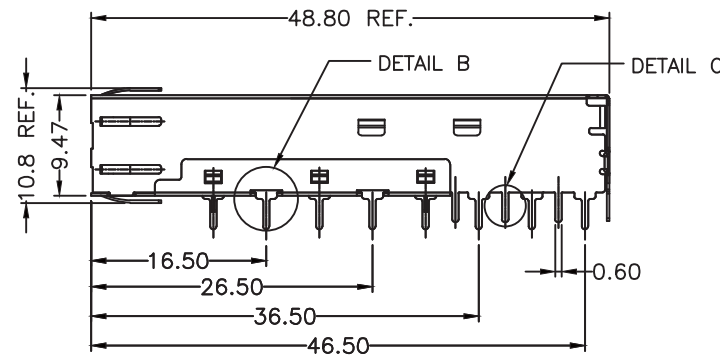
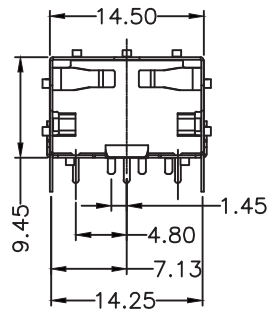
DETAIL C
SCALE 5 : 1



TABS USED TO MOUNT LIGHT PIPE



DETAIL B
SCALE 5 : 1



MORETHANALL
PCB CONNECTORS
Cable ASSEMBLIES

煜倫股份有限公司

www.morethanall.com

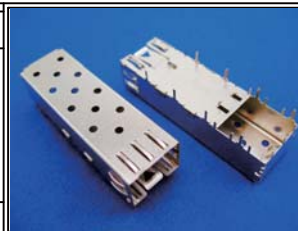
RoHS Compliant

DRAWING BY CY
CHECKED BY GENIUS
UNIT / mm SCALE 1 : 1
DATE
SIZE A4

TOLERANCES ARE

X. ±
.X ±
.XX ±
.XXX ±
ANG ±

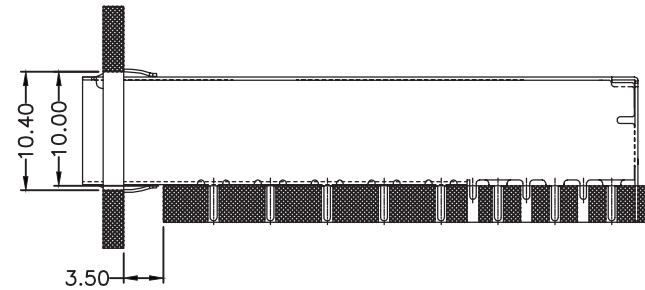
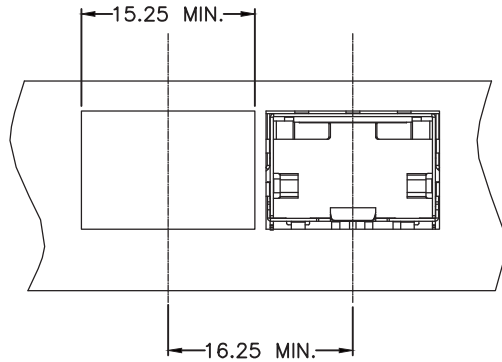
PJECTION



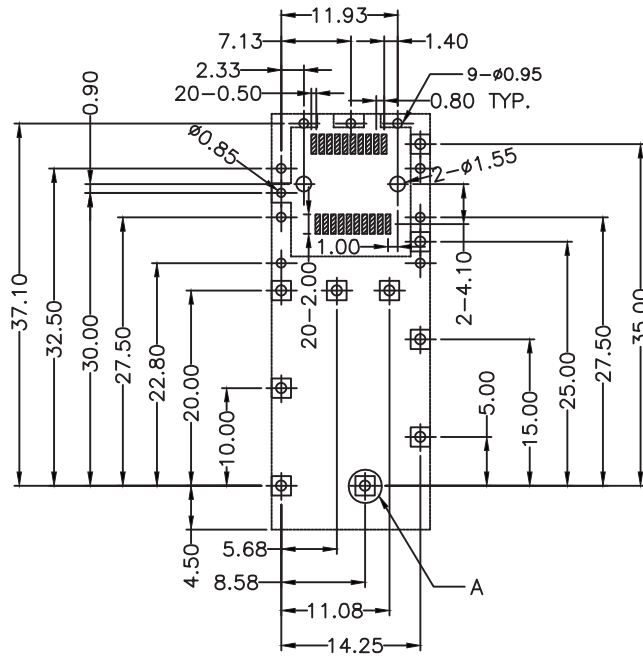
ORDER INFORMATION

SFP-SCR-20-LF
SERIES | | | LEADFREE
| | | 20 WAY
| | | DIP 90°
CAGE
FEMALE

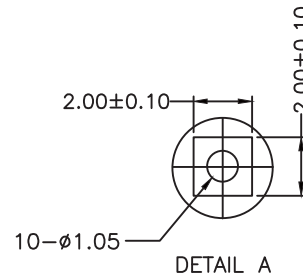
DESCRIPTION:



RECOMMENDED PANEL DESIGN



P.C.B. LAYOUT
TOP VIEW ±0.05



MORETHANALL
PCB CONNECTORS
Cable ASSEMBLIES

煜倫股份有限公司

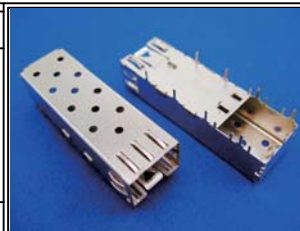
www.morethanall.com

RoHS Compliant

DRAWING BY CY
CHECKED BY GENIUS
UNIT / mm SCALE 1 : 1
DATE
SIZE A4

TOLERANCES ARE

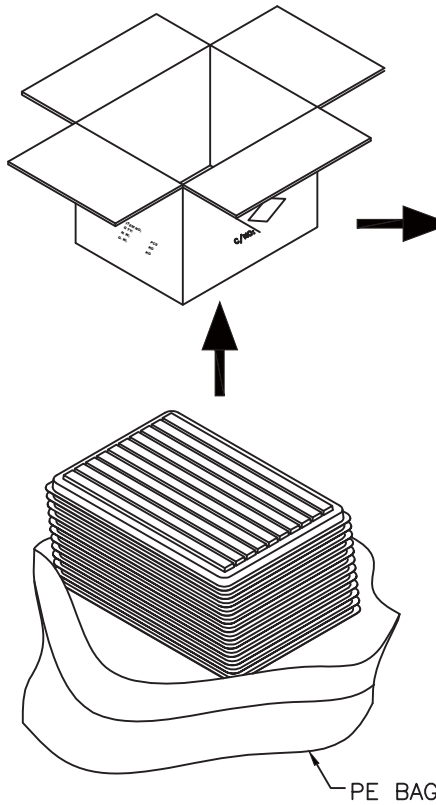
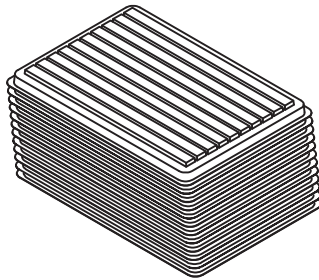
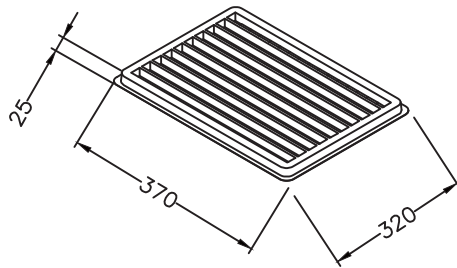
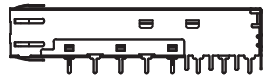
X. ±
.X ±
.XX ±
.XXX ±
ANG ±



ORDER INFORMATION

SFP-SCR-20-LF
SERIES | | | LEADFREE
| | | 20 WAY
| | | DIP 90°
| | | CAGE
| | | FEMALE

DESCRIPTION:



NOTE:

EXTERIOR CARTON: L=400,W=340,H=275

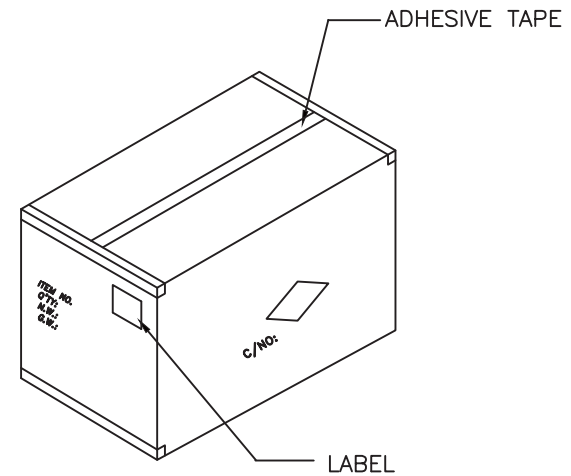
TRAY: L=370,W=320,H=25

QUANTITY:

50 PCS/ TRAY

11 TRAY/ CARTON (1 TRAY EMPTY)

500 PCS/ CARTON



ADHESIVE TAPE

LABEL

PE BAG

RoHS Compliant

TOLERANCES ARE

MORETHANALL
PCB CONNECTORS
Cable ASSEMBLIES

DRAWING BY CY

X. ±

CHECKED BY GENIUS

.X ±

UNIT / mm

SCALE 1 : 1

.XX ±

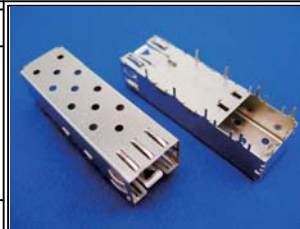
DATE

.XXX ±

ANG ±

SIZE A4

PPOJECTION



ORDER INFORMATION

SFP-SCR-20-LF
SERIES | | | LEADFREE
| | | 20 WAY
| | | DIP 90°
| | | CAGE
| | | FEMALE

煜倫股份有限公司

www.morethanall.com

DESCRIPTION: