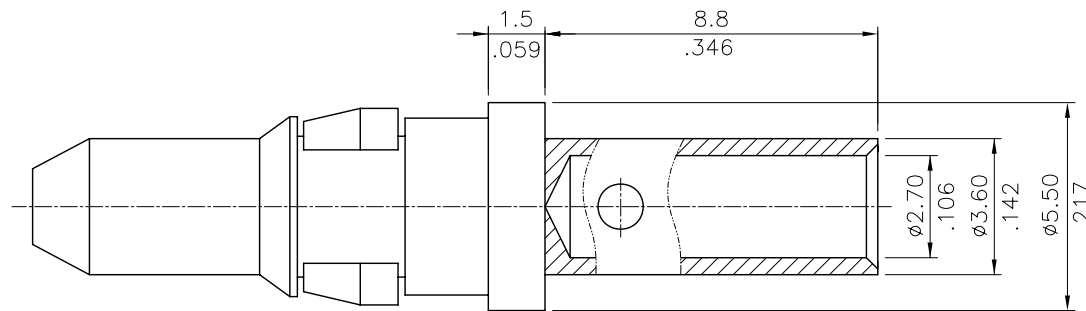


MATERIAL;

- \* CONTACT : BRASS WITH GOLD PLATED
- \* LOCK LINK : BRASS WITH NICKEL PLATED



RoHS Compliant

TOLERANCES ARE

**MORETHANALL**  
PCB CONNECTORS  
Cable ASSEMBLIES

煜倫股份有限公司

www.morethanall.com

DRAWING BY CY

CHECKED BY GENIUS

UNIT / mm

SCALE 1 : 1

DATE

SIZE A4

P PROJECTION

X, ±  
.X ±  
.XX ±  
.XXX ±  
ANG ±



ORDER INFORMATION

DWC-M-xx-LF  
SERIES | LEADFREE  
20:20AMP  
40:40AMP  
MALE TERMINAL

DESCRIPTION: