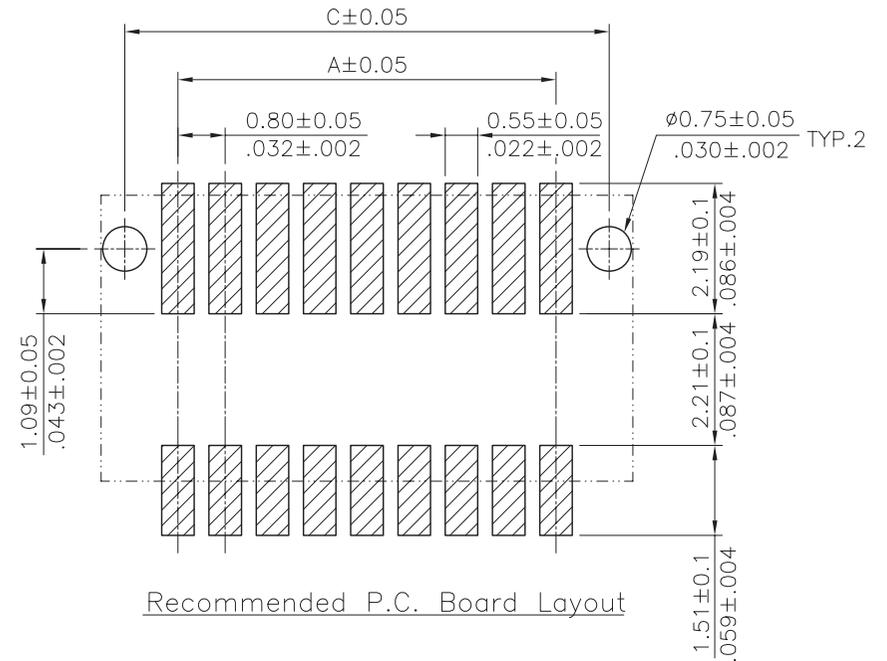
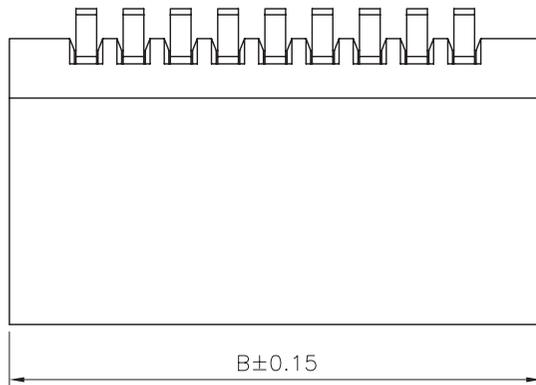
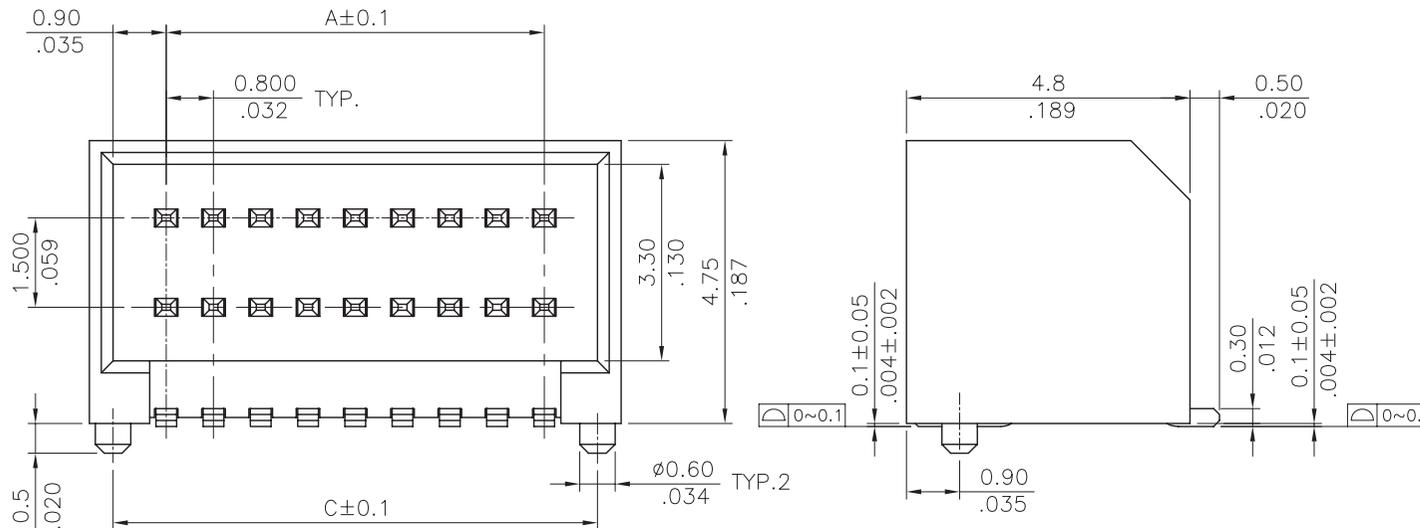


Material:

- * Housing :NYLON 6T WITH 30% GF.
UL 94V-0 Color Black
- * Contact: Phosphor Bronze



Recommended P.C. Board Layout



DIM A = 0.8 X No. of Spaces
 DIM B = DIM A + 2.6
 DIM C = DIM A + 1.8
 * AVAILABLE IN 6 THROUGH 36
 CIRCUITS

RoHS Compliant

TOLERANCES ARE

MORETHANALL
 PCB CONNECTORS
 Cable ASSEMBLIES

DRAWING BY CY

CHECKED BY GENIUS

UNIT / mm

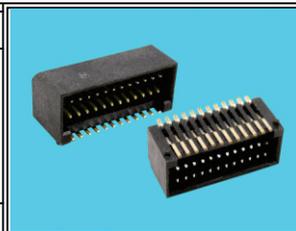
SCALE 1 : 1

DATE

SIZE A4

PJECTION

X. ±
 .X ± 0.25
 .XX ± 0.15
 .XXX ± 0.08
 ANG ±



ORDER INFORMATION

B85-WPG-xx-LF
 SERIES | | | LEADFREE
 | | | 06~36 WAY
 | | | GOLD
 | | | POST
 | | | 90°SMT

煜倫股份有限公司

www.morethanall.com

DESCRIPTION: