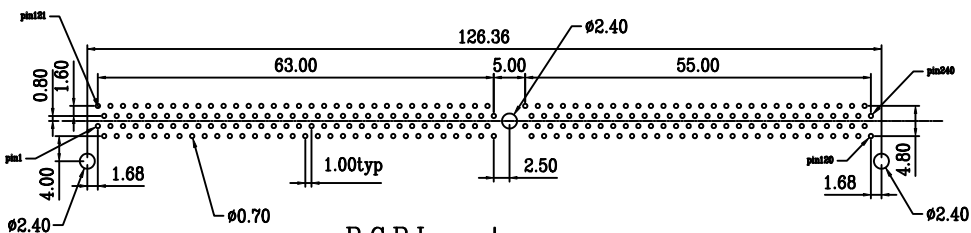


MATERIALS

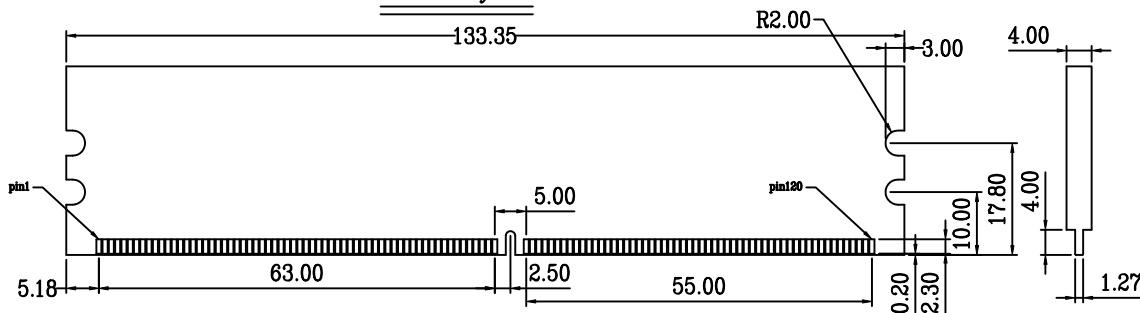
- * Body : Liquid Crystal Polstal (L.C.P.) UL (94V-0)
- * Contact : Copper alloy
- * Contact plated : gold over nicket (40-60u")or tin plating
- * Latch : Nylon 66 UL (94 V-0)

SPECIFICATION

- * Contact curret rating : 1 AMP
- * Conact resistance : 30 Milli OHMS Max.
- * Insulation resistance : 5000 megoohms Min. initial
- * Operating temperature : -55°C to +105°C
- * Dielectric Withstanding Voltage : AC 500V
- * Capacitance : 1pf Max.
- * Durability : 25 cycle Min.
- * Conact engaging force : 110 g Max. per conact,initial
- * Contact separating force : 40 g Min. per contact,initial



P.C.B. Layout



Recommended Module Layout

RoHS Compliant

TOLERANCES ARE

MORETHANALL
PCB CONNECTORS
Cable ASSEMBLIES

DRAWING BY CY

X. ± 0.50

CHECKED BY GENIUS

.X ± 0.35

UNIT / mm

SCALE 1 : 1

.XX ± 0.25

DATE

.XXX ± 0.05

ANG ±

SIZE A4

PPOJECTION



ORDER INFORMATION

DIM1-AZ-240V1816-LF
SERIES | | | LEADFREE
| | | ROW 1.6mm
| | | 1.8V
| | | 240 WAY
CLIP
SLANT DIP

DESCRIPTION: DDR2 socket 240p lowprofile 25°

煜倫股份有限公司

www.morethanall.com