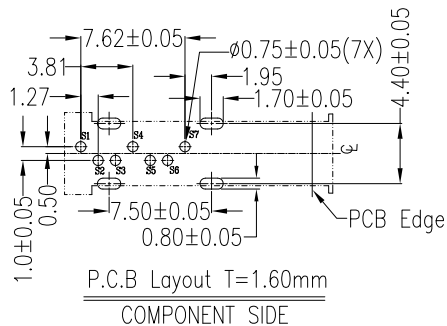
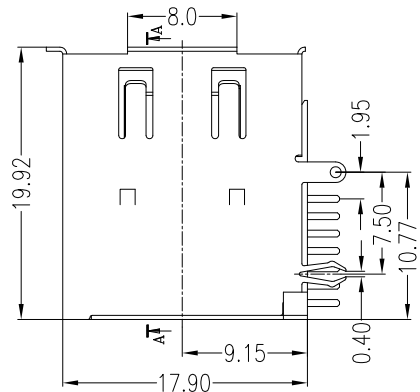
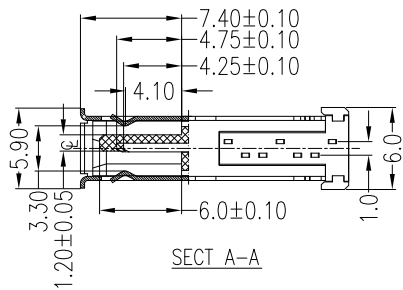
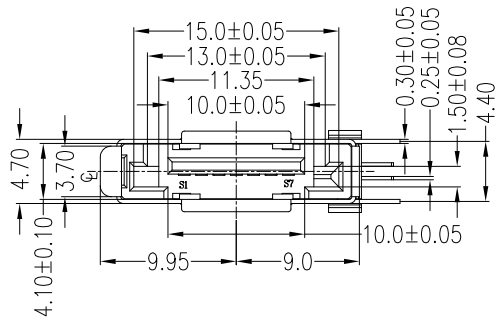


Signal Name	
Pin Number	eSATA
S1	GND
S2	A+
S3	A-
S4	GND
S5	B-
S6	B+
S7	GND



NOTES:

***Material**

Housing: Nylon46,UL 94V-0
 Shell: Brass
 Plating: Ni(50u" Min.) Plating .
 Contact: Brass
 Plating: Au plating on contact area;
 Sn(100u" Min.) plating on solder tail;
 Ni(50u" Min.) underplating overall.

***Mechanical**

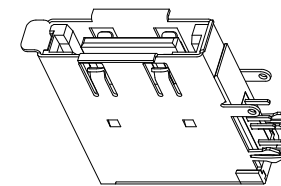
Insertion Force: 4.08Kg Max.
 Withdrawal Force: 1.02Kg Min.
 Durability: 2500 Cycles

***Electrical Specification**

Current Rating: 1.5 Ampere Per Contact
 Contact Resistance: 30 mΩ Max.
 Insulation Resistance: 1000 MΩ Min.
 Dielectric Withstanding Voltage: 500V AC.

***Environmental**

Operating Temperature : -55°C To +85°C.



RoHS Compliant

TOLERANCES ARE

MORETHANALL
 PCB CONNECTORS
 Cable ASSEMBLIES

DRAWING BY CY

CHECKED BY GENIUS

UNIT / mm SCALE 1 : 1

DATE

SIZE A4

X, ±
 .X ± 0.35
 .XX ± 0.25
 .XXX ± 0.15
 ANG ± 3°

PJECTION



ORDER INFORMATION

ESATA-PUBK-07-LF

SERIES | LEADFREE
 | 07 WAY
 | BLACK
 | UPRIGHT
 | MALE

DESCRIPTION: eSATA Upright DIP Type Male

煜倫股份有限公司

www.morethanall.com