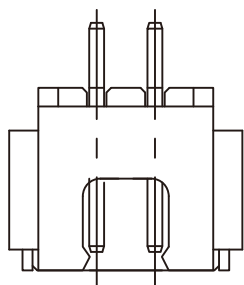
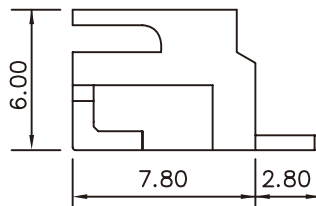
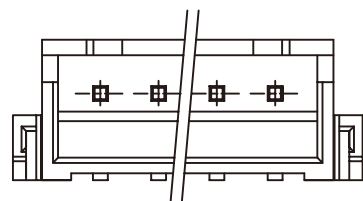
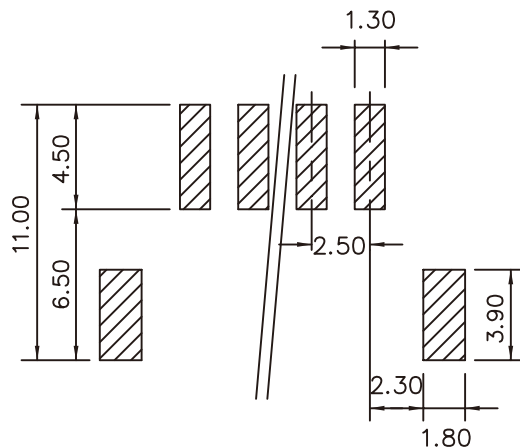


3P-12P



2P

Specifications

Current Rating: 3A AC, DC
 Voltage Rating: 250V AC Maximum
 Operating Temp: -25°C ~ +85°C
 Contact Resistance: 10mΩ Max
 Insulation Resistance: 1000MΩ Min
 Withstanding Voltage: 1000V AC/minute
 Pin: Brass/Gold Flash
 Wafer: Nylon 6T, UL94V-0
 Solder Tab: Brass/Tin Plated

Poles	Dimension mm		Part No.	Note.
	A	B		
2	2.5	10.0	XH-WG-02	
3	5.0	12.5	XH-WG-03	
4	7.5	15.0	XH-WG-04	
5	10.0	17.5	XH-WG-05	
6	12.5	20.0	XH-WG-06	
7	15.0	22.5	XH-WG-07	
8	17.5	25.0	XH-WG-08	
9	20.0	27.5	XH-WG-09	
10	22.5	30.0	XH-WG-10	
11	25.0	32.5	XH-WG-11	
12	27.5	35.0	XH-WG-12	

RoHS Compliant

TOLERANCES ARE

MORETHANALL
 PCB CONNECTORS
 Cable ASSEMBLIES

煜倫股份有限公司

www.morethanall.com

DRAWING BY CY

CHECKED BY GENIUS

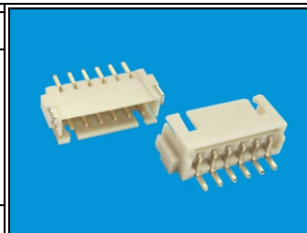
UNIT/mm SCALE 1:1

DATE

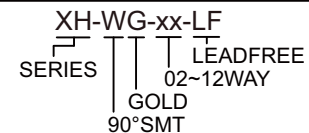
SIZE A4

X, ±
 .X ±
 .XX ±
 .XXX ±
 ANG ±

P PROJECTION



ORDER INFORMATION



DESCRIPTION: XH2.5mm Wire-to-Board Header SMT 90° Type