

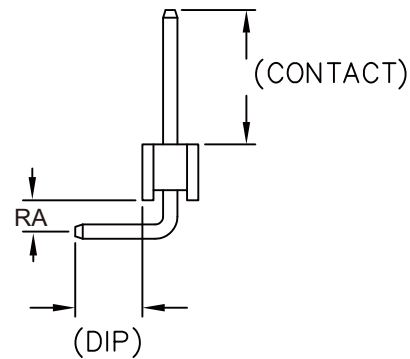
Recommended P.C.B Layout

MATERIAL

Insulator : 30% Glass fiber PBT
Contact Pin : Brass

SPECIFICATION

Current Rate : 3 AMP
Insulation Resistance : 5000MΩMin. at DC 500V
Contact Resistance : 20mΩMax. at DC 100mA
Dielectric Voltage : AC 1000V for one minute
Operation Temperature : -40°C to + 105°C



POLES	DIM E	POLES	DIM E
		21	50.80
2	2.54	22	53.34
3	5.08	23	55.88
4	7.62	24	58.42
5	10.16	25	60.96
6	12.70	26	63.50
7	15.24	27	66.04
8	17.78	28	68.58
9	20.32	29	71.12
10	22.86	30	73.66
11	25.40	31	76.20
12	27.94	32	78.74
13	30.48	33	81.28
14	33.02	34	83.82
15	35.56	35	86.36
16	38.10	36	88.90
17	40.64	37	91.44
18	43.18	38	93.98
19	45.72	39	96.52
20	48.26	40	99.06

RoHS Compliant

TOLERANCES ARE



煜倫股份有限公司

www.morethanall.com

DRAWING BY CY

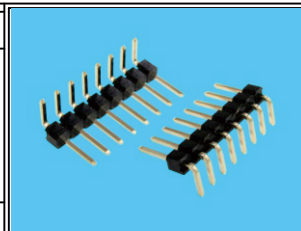
CHECKED BY GENIUS

UNIT / mm SCALE 1 : 1

DATE

SIZE A4 PPROJECTION

X, ±
.X ±
.XX ±
.XXX ±
ANG ±



ORDER INFORMATION

H-RL25xyyyzzz-1Xxx-LF
SERIES | CONTACT | LEADFREE
DIP 90° | 060:6.0mm | 1X02:02WAY
LOW RA | DIP | 1X40:40WAY
BASE 2.5mm | 14:1.4mm | 030:3.0mm
20:2.0mm | 051:5.1mm

DESCRIPTION: PIN HEADER 2.54*2.54mm RIGHT ANGLE TYPE, SINGLE ROW