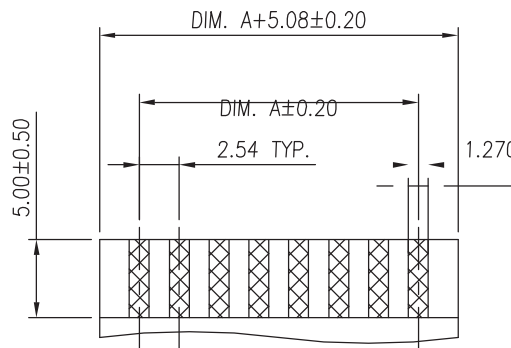


RECOMMENDED PCB LAYOUT
TOLERANCES: ±0.05



FPC/FFC T=0.30 ± 0.05

NOTE:

1. MATERIAL:
HOUSING: HIGH TEMPERATURE THERMOPLASTIC. COLOR: BLACK.
CONTACT: COPPER ALLOY.
2. FINISH:
TERMINAL:
CONTACT AREA: TIN PLATING 100 u" THICKNESS MIN.
SOLDERING AREA: TIN PLATING 100 u" THICKNESS MIN.;
UNDER PLATING: NICKEL PLATING 50 u" THICKNESS MIN. OVERALL.
3. PRODUCT SPECIFICATION: PS-FPC-11
4. PACKAGING SPECIFICATION: GFP63004002

■ DIMENSION TABLE

Pos.	Dimension			Pos.	Dimension C		
	A	B	C		A	B	C
	2.54	8.43	10.54	15	35.56	41.45	43.56
3	5.08	10.97	13.08	16	38.10	43.99	46.10
4	7.62	13.51	15.62	17	40.64	46.53	48.64
5	10.16	16.05	18.16	18	43.18	49.07	51.18
6	12.70	18.59	20.70	19	45.72	51.61	53.72
7	15.24	21.13	23.24	20	48.26	54.15	56.26
8	17.78	23.67	25.78	21	50.80	56.69	58.80
9	20.32	26.21	28.32	22	53.34	59.23	61.34
10	22.86	28.75	30.86	23	55.88	61.77	63.88
11	25.40	31.29	33.40	24	58.42	64.31	66.42
12	27.94	33.83	35.94	25	60.96	66.85	68.96
13	30.48	36.37	38.48	26	63.50	69.39	71.50
14	33.02	38.91	41.02				

RoHS Compliant

MORETHANALL
PCB CONNECTORS
Cable ASSEMBLIES

煜倫股份有限公司

www.morethanall.com

DRAWING BY CY

CHECKED BY GENIUS

UNIT/mm
DATE

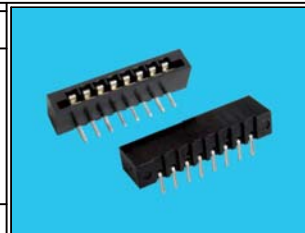
SCALE 1:1

SIZE A4

PJECTION

TOLERANCES ARE

X. ±
.X ±
.XX ±
.XXX ±
ANG ±



ORDER INFORMATION

FPC-RL2-xx-LF
SERIES | T LEADFREE
03-26WAY
DUAL CONTACT
LIF
DIP 90°

DESCRIPTION: