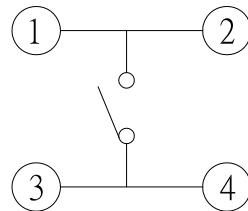
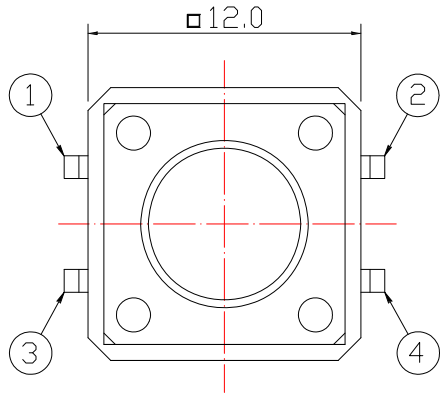


PCB LAYOUT MOUNTING PATTERN



CIRCUIT DIAGRAM

SPECIFICATIONS

Rating	DC 12V 50mA		
Contact Resistance	100mΩ Max.		
Travel	0.30 ± 0.1mm		
Operating Force	1 130±30gf	2 160±50gf	3 250±50gf
Operating Life(cycles)	100,000		

MODEL NO.	043	050	060	070	075	080	085	090	095	100	110	120	130	140	150
L (mm)	4.3	5.0	6.0	7.0	7.5	8.0	8.5	9.0	9.5	10.0	11.0	12.0	13.0	14.0	15.0
ΦA (mm)	6.8	6.8	6.7	6.7	6.7	6.6	6.6	6.6	6.6	6.0	6.0	6.0	6.0	6.0	6.0

NO.	DESCRIPTION	QTY	MATERIAL	PLATING
E	TERMINAL	4	BRASS	Ag plated
D	CONTACT	1	SUS	Ag plated
C	COVER	1	BRASS	Ni plated
B	CASE	1	PA6T	
A	STEM	1	PA6T	
NO.	DESCRIPTION	QTY	MATERIAL	PLATING

RoHS Compliant

TOLERANCES ARE

MORETHANALL
PCB CONNECTORS
Cable ASSEMBLIES

DRAWING BY CY

CHECKED BY GENIUS

UNIT / mm

SCALE 1 : 1

DATE

SIZE A4

P PROJECTION

Up to 5 ±0.2
Above 5 ~ 15 ±0.3
Above 15 ~ 30 ±0.4
Above 30 ~ 50 ±0.5
Angle ±0.3°



ORDER INFORMATION

TSW1212-DQxxx-xxx-LF

SERIES

DIP 180°
4 PIN

LEADFREE

130:130g
160:160g
250:250g

043:4.3mm HIGH
150:15.0mm HIGH

煜倫股份有限公司

www.morethanall.com

DESCRIPTION: TACT SWITCH