

- NOTES:
- MATERIAL:**
HOUSING: HIGH TEMPERATURE THERMO PLASTIC UL94V-0
TERMINAL: COPPER ALLOY
SOLDER PEG: COPPER ALLOY
 - FINISH:**
TERMINAL:
CONTACT AREA: SEE CHARTS
SOLDERING AREA: SEE CHARTS
UNDER PL.: NICKEL PL. 50 μ" THK MIN.
 - THIS PRODUCT DOESN'T CONTAIN ENVIRONMENTAL HAZARDOUS PER DIRECTIVE 2002/95/EC FOR RoHS COMPLIANT.

RoHS Compliant

TOLERANCES ARE

MORETHANALL
PCB CONNECTORS
Cable ASSEMBLIES

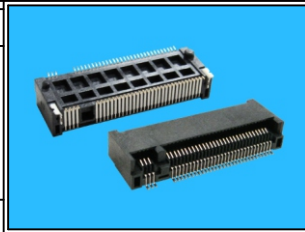
DRAWING BY CY
CHECKED BY GENIUS

X, ±
.X ±
.XX ±
.XXX ±
ANG ±

煜倫股份有限公司

UNIT / mm SCALE 1:1
DATE

SIZE A4 PPROJECTION

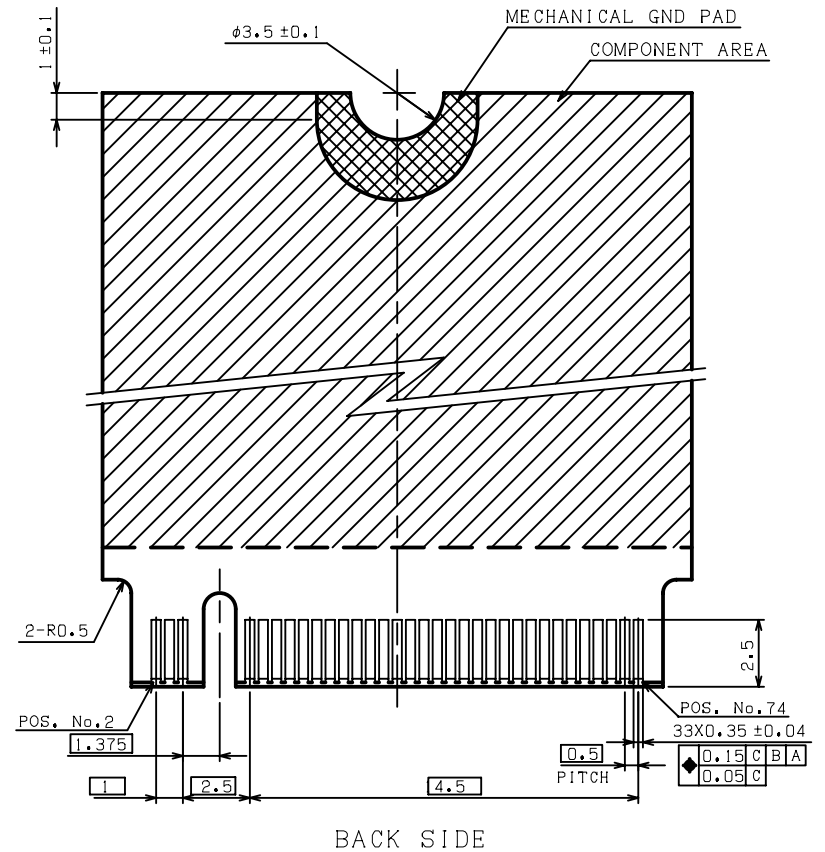
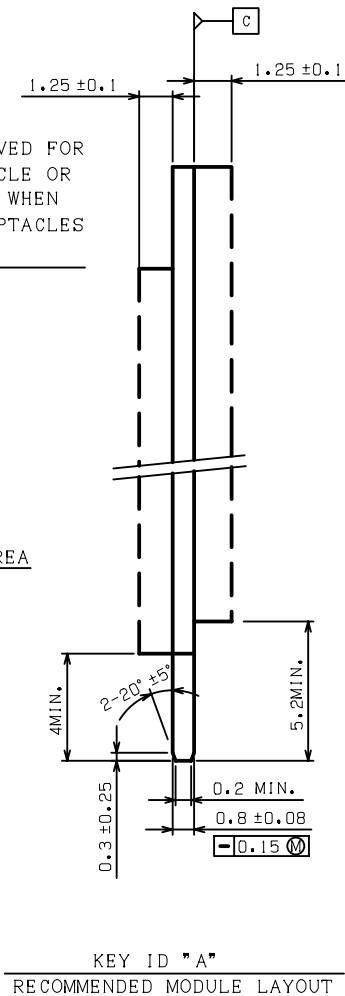
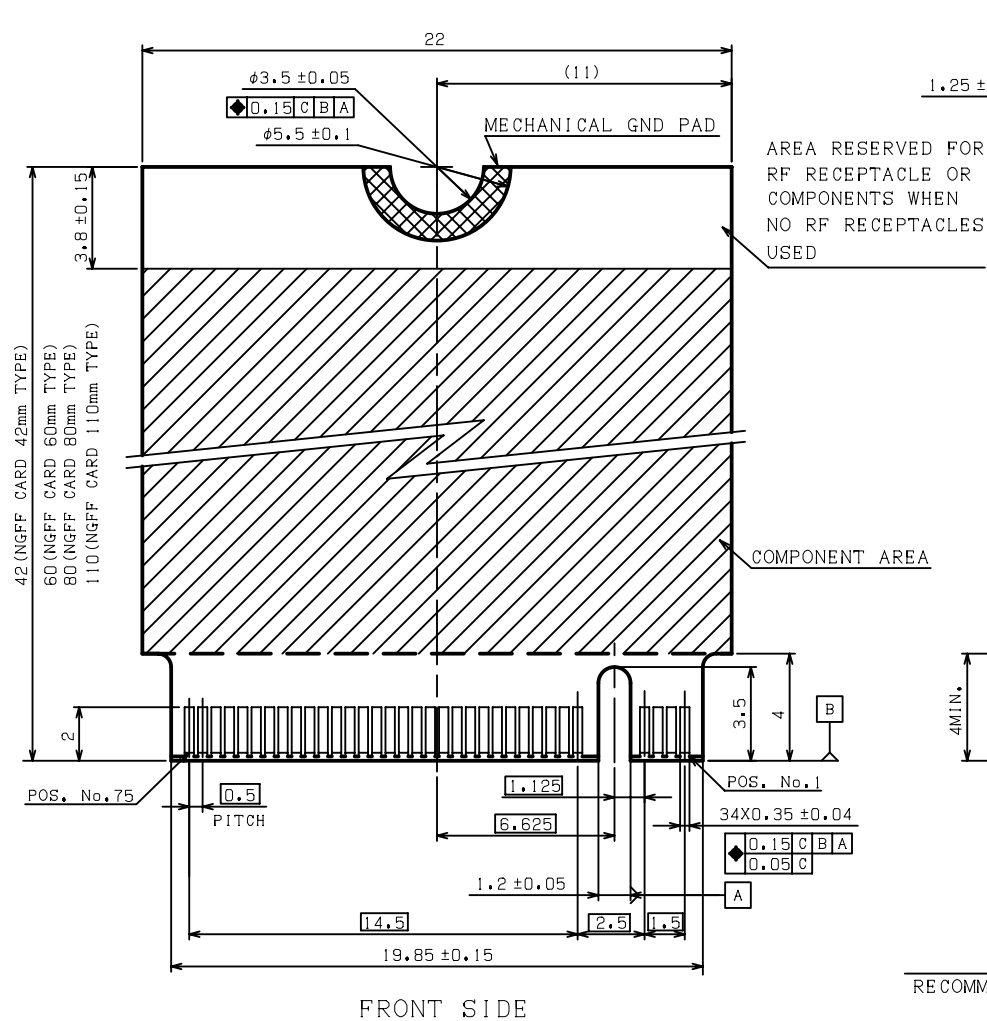


ORDER INFORMATION

NGFF-W42-0760-LF
SERIES | LEADFREE
| 07+60 WAY
HIGH 4.2mm
90°SMT

DESCRIPTION:

www.morethanall.com



GENERAL TOLERANCE ±0.15

RoHS Compliant

TOLERANCES ARE

MORETHANALL
PCB CONNECTORS
Cable ASSEMBLIES

DRAWING BY CY

X. ±

CHECKED BY GENIUS

.X ±

UNIT / mm

SCALE 1:1

.XX ±

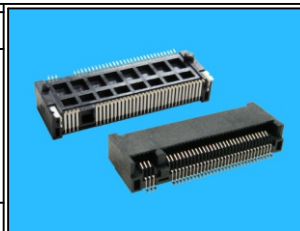
DATE

.XXX ±

ANG ±

SIZE A4

PJECTION



ORDER INFORMATION

NGFF-W42-0760-LF

SERIES

LEADFREE

07+60 WAY

HIGH 4.2mm

90°SMT

煜倫股份有限公司

www.morethanall.com

DESCRIPTION: