

ITEM	DESC.	MATERIAL	REMARKS	PART REMARKS
4	HOUSING	THERMOPLASTIC	30%G.F.,UL94V-0 COLOR: SEE NOTE	
3	STOPPER	THERMOPLASTIC	30%G.F.,UL94V-0 COLOR: SEE NOTE	
2	SHELL	COPPER ALLOY	OVER-PLATING: Ni 40u"	
1	TERMINAL	COPPER ALLOY	CONTACT AREA: SEE NOTE UNDER-PLTING: Ni 50u" SOLDER AREA: Sn 100u"	

RoHS Compliant

TOLERANCES ARE

MORETHANALL
PCB CONNECTORS
Cable ASSEMBLIES

DRAWING BY CY

X ± 0.50

CHECKED BY GENIUS

.X ± 0.25

UNIT / mm

SCALE 1 : 1

.XX ± 0.15

DATE

.XXX ± 0.05

ANG ± 1°

SIZE A4

PPOJECTION



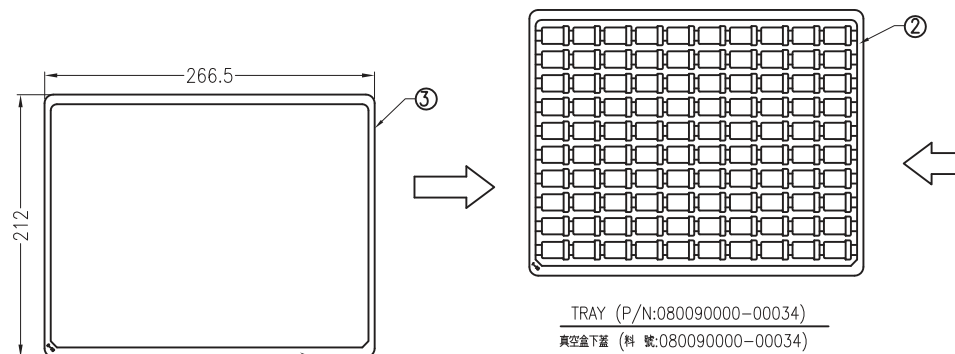
ORDER INFORMATION

USB-SDR36BKS30-4B-LF
SERIES | | | | LEADFREE
4 PIN B TYPE
SEMI GOLD 30u"
BLACK
FEMALE | | | |
DIP 180° ROW 3.6mm

煜倫股份有限公司

www.morethanall.com

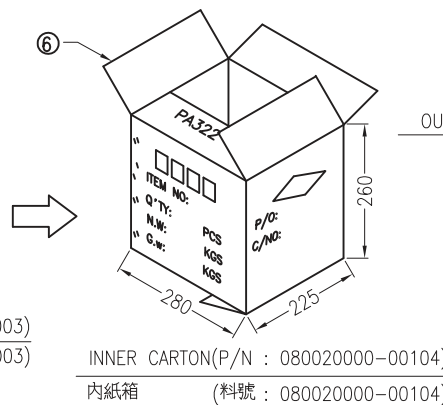
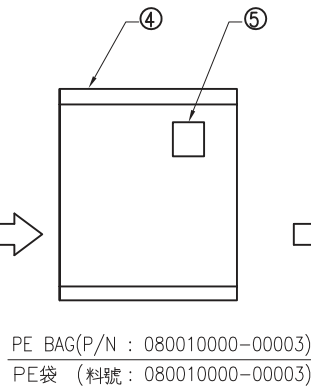
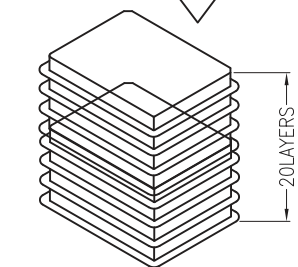
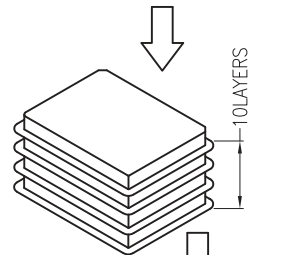
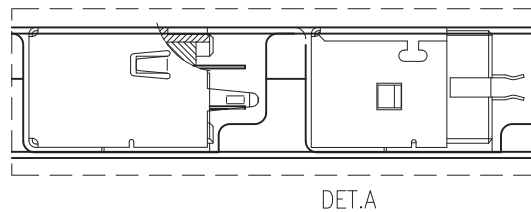
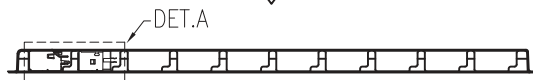
DESCRIPTION:



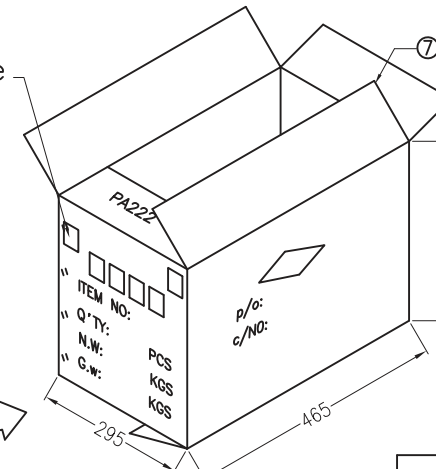
序號 NO.	項 目 ITEM	
1	包裝方式 Method of packing	000010411-000**
2	包裝方式說明 Packing instruction	
3	內包裝單位 Unit of inner packing	箱 CARTON
4	內包裝產品數量 Inner packing quantity	2000 PCS
5	內包裝重量(g) Inner packing weight	1857
6	外包裝單位 Unit of outer packing	箱 CARTON
7	外包裝內包裝數量 Quantity of inner packing	2
8	外包裝重量(g) Weight of outer packing	746
9	總數量 (pcs) Total quantity	4000
10	長Length(mm)x寬Width(mm)x高High(mm)	465x295x285
11	數量/盤 QUANTITY/TRAY	100 pcs
12	淨重/箱 WEIGHT/CARTON:N.W	14.99Kg
13	毛重/箱 WEIGHT/CARTON:G.W	19.45±0.30Kg
14	EVERY 10 LAYERS WERE PACKING BY PE FILM 每 10 層用 PE 膠封好	

COVER (P/N:080090000-00164)
真空盒上蓋 (料號:080090000-00164)

stick label in this place 貼標籤處



OUTER CARTON(P/N : 080020000-00028)
外紙箱 (料號 : 080020000-00028)



P/N	N.W	G.W
USB-SDR36S30BK-4B	15.55Kg	20.55Kg

7	OUTER CARTON(外紙箱)	K=A	PA222*1
6	INNER CARTON(內紙箱)	K=A	PA322*2
5	DESICCANT(干燥劑)		PL101*2
4	PE BAG (PE 袋)	PE	PC103*2
3	COVER (上蓋)	PET(TRANSPARENCE)	PD215*40
2	TRAY (下蓋)	PET(TRANSPARENCE)	PD115*40
1	PRODUCT (產品)		AB4V*004*0
ITEM	DESC.	MATERIAL	REMARKS

RoHS Compliant

TOLERANCES ARE

MORETHANALL
PCB CONNECTORS
Cable ASSEMBLIES

煜倫股份有限公司

www.morethanall.com

DRAWING BY CY

CHECKED BY GENIUS

UNIT / mm

SCALE 1 : 1

DATE

SIZE A4

PPOJECTION

X. ± 0.50
.X ± 0.25
.XX ± 0.15
.XXX ± 0.05
ANG ± 1°



ORDER INFORMATION

USB-SDR36BKS30-4B-LF

SERIES | | | | LEADFREE
4 PIN B TYPE
SEMI GOLD 30u"
BLACK
ROW 3.6mm
FEMALE | | | |
DIP 180°

DESCRIPTION: