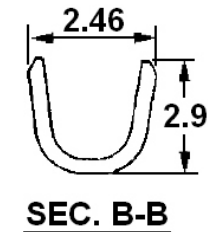
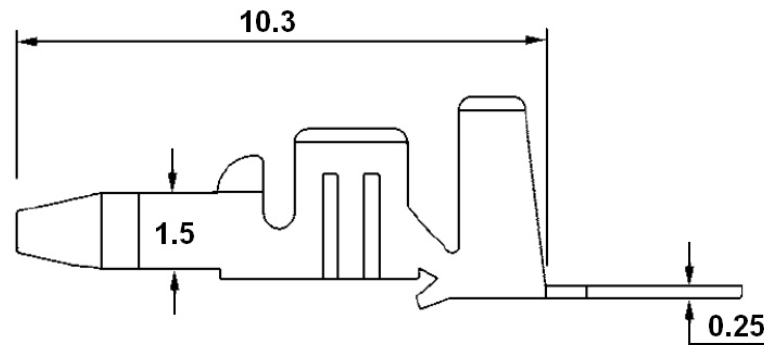
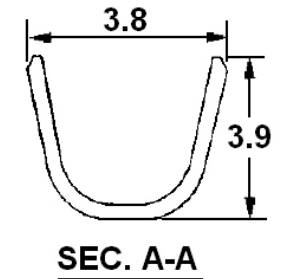
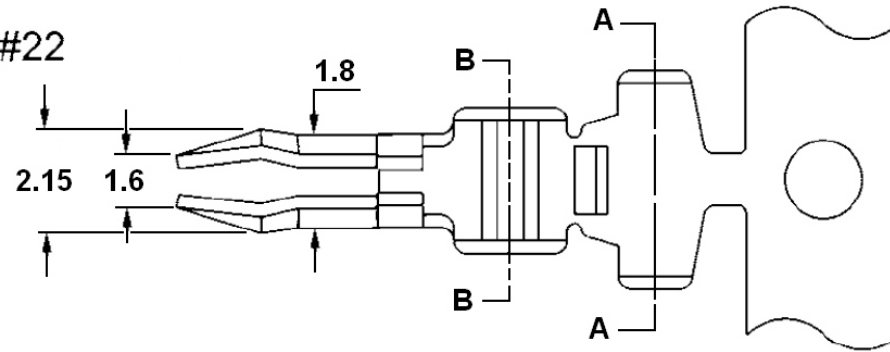


- Material: Brass
- Finished: Tin-plated
- Wire range: AWG #16 ~ #22
- Thickness: 0.25mm



RoHS Compliant

TOLERANCES ARE

MORETHANALL
PCB CONNECTORS
Cable ASSEMBLIES

DRAWING BY CY

CHECKED BY GENIUS

UNIT / mm

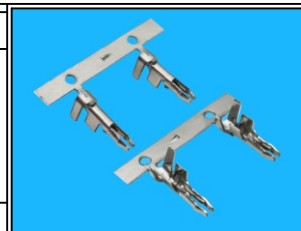
SCALE 1 : 1

DATE

SIZE A4

PPOJECTION

X. ±
.X ±
.XX ±
.XXX ±
ANG ±



ORDER INFORMATION

SDN-T-16-LF
SERIES | LEADFREE
16~22 AWG
TERMINAL

煜倫股份有限公司

www.morethanall.com

DESCRIPTION: