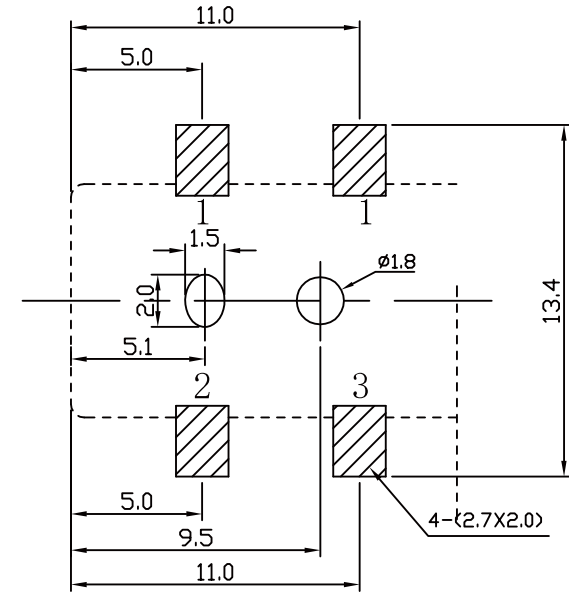
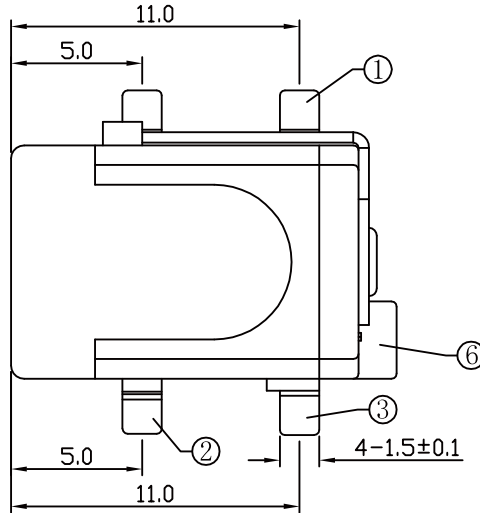
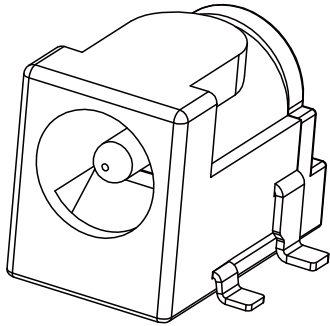
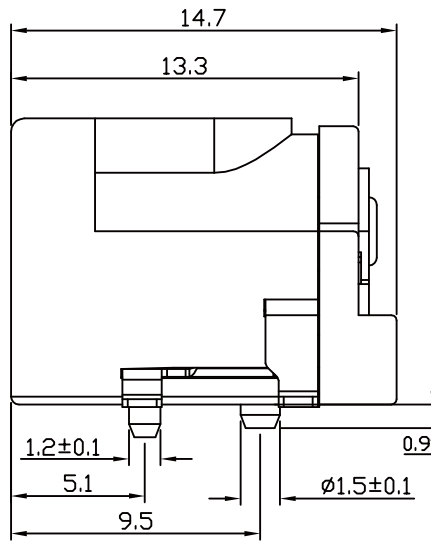
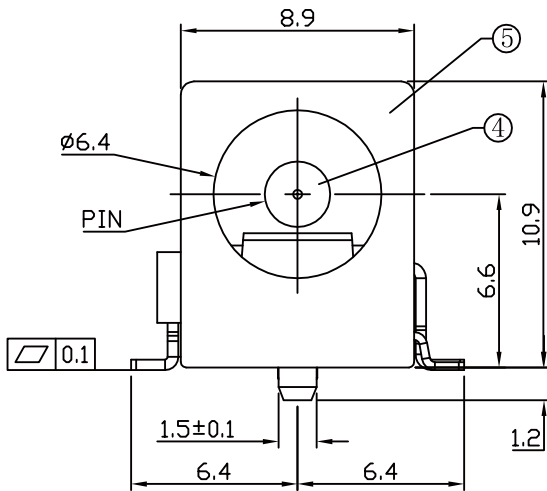


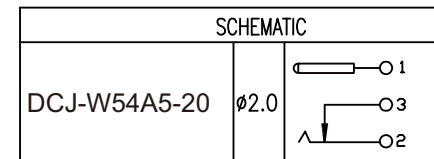
SPECIFICATION :
 1.VOLTAGE RATING : DC 12V.
 2.CURRENT RATING : 5 AMP.



T:1.6 Dimensions of PC board holes
 Tolerance : ±0.05(Printed-top view)



6	COVER	1	PA9T	UL-94V0(BLACK)
5	HOUSING	1	PA9T	UL-94V0(BLACK)
4	PIN	1	H59(COPPER ALLOY)	Cu/Sn PLATED
3	CURVE PIECE	1	C2680 t=0.40	Sn PLATED
2	SPRING	1	C5191 t=0.30	Sn PLATED
1	CURVE PIECE	1	C2680 t=0.40	Sn PLATED
LTR	PART NAME	QTY	MATERIAL	REMARK



UNLESS OTHERWISE SPECIFIED, TOLERANCE ON DECIMAL: ±0.2

RoHS Compliant

TOLERANCES ARE

MORETHANALL
 PCB CONNECTORS
 Cable ASSEMBLIES

DRAWING BY CY

X.±

CHECKED BY GENIUS

.X±

UNIT / mm

SCALE 1 : 1

.XX±

DATE

.XXX±

ANG ±

SIZE A4

P PROJECTION



ORDER INFORMATION

DCJ-W54A5-20-LF
 SERIES | LEADFREE
 20:2.0Ø
 5A
 POST 5.1+4.4mm
 90°SMT

DESCRIPTION: DC POWER JACK

煜倫股份有限公司

www.morethanall.com