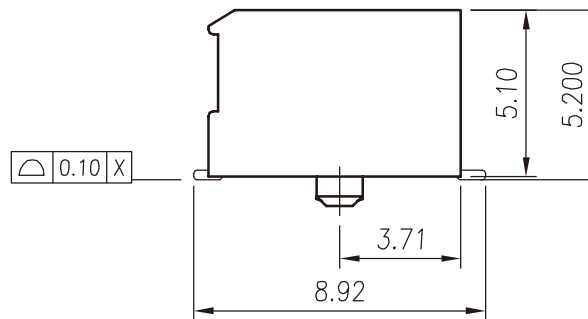
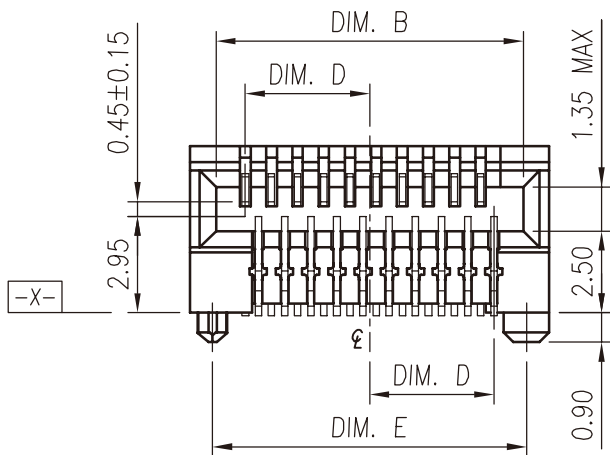


RECOMMENDED PCB LAYOUT

Tolerance: ± 0.05



RoHS Compliant

TOLERANCES ARE

MORETHANALL
PCB CONNECTORS
Cable ASSEMBLIES

DRAWING BY CY

X, ± 0.40

CHECKED BY GENIUS

.X, ± 0.30

UNIT / mm

SCALE 1 : 1

.XX, ± 0.20

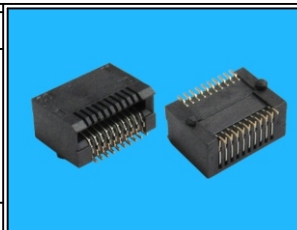
DATE

.XXX, ± 0.10

ANG \pm

SIZE A4

PJECTION



ORDER INFORMATION

SFP-SWP-xx-LF
SERIES | LEADFREE
20.30.70 WAY
POST
90°SMT
FEMALE

煜倫股份有限公司

www.morethanall.com

DESCRIPTION: SFP Connector 0.8mm Pitch

TABLE 1					
Pos. No.	DIM. A	DIM. B	DIM. C	DIM. D	DIM. E
20	7.60	9.40	11.00	3.80	9.60
30	11.60	13.40	15.00	5.80	13.60
70	27.60	29.40	31.00	13.80	29.60

TABLE 2					
Pos. No.	W	X	Y		
20	10	11	20		
30	15	16	30		
70	35	36	70		

Material:

Insulator: Glass-Reinforced Thermoplastic, UL 94V-0, Color: Black.
 Contact: Copper Alloy.
 Contact Plating: Selective Gold Plating On Contact Area.
 G/F or Tin Over Nickel Underplated On Solder Tail Area .
 ROHS Compliant

Electrical:

Voltage Rating: 30V AC.
 Current Rating: 0.5 A.
 Contact Resistance: 40 milliohms Max.
 Dielectric Withstanding Voltage: 300V AC Min.
 Insulation Resistance: 500 Megaohms Min.

Environmental:

Temperature Range: -40°C to +85°C.

RoHS Compliant

TOLERANCES ARE

MORETHANALL
 PCB CONNECTORS
 Cable ASSEMBLIES

煜倫股份有限公司

www.morethanall.com

DRAWING BY CY

CHECKED BY GENIUS

UNIT / mm

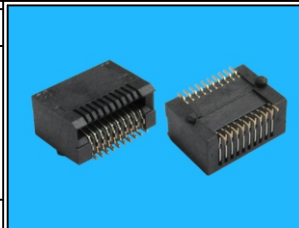
SCALE 1 : 1

DATE

SIZE A4

X, ± 0.40
 .X ± 0.30
 .XX ± 0.20
 .XXX ± 0.10
 ANG ±

P PROJECTION 



ORDER INFORMATION

SFP-SWP-xx-LF
 SERIES | POST | LEADFREE
 20,30,70 WAY
 90°SMT
 FEMALE

DESCRIPTION: SFP Connector 0.8mm Pitch