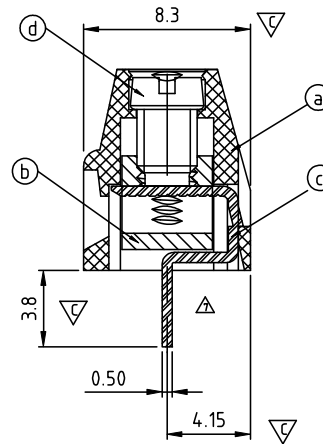
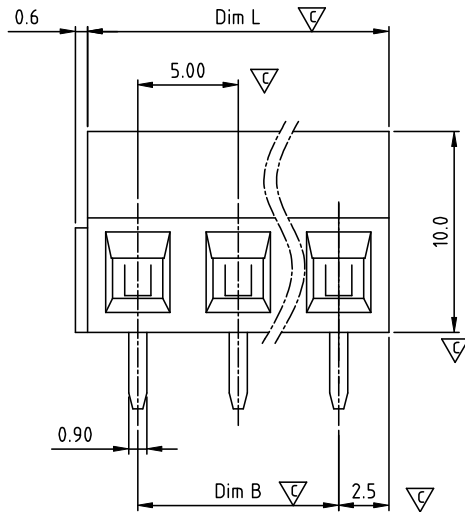


P.C.B. LAYOUT
TOP VIEW



Material:

- Item (a) Terminal housing: Thermoplastic (UL 94V-0)
- Item (b) Clamp: Brass ,Ni plated
- Item (c) Wire guard solder pin: Brass ,Tin plated
- Item (d) Terminal screw: Steel Zinc plating"-slot type

△ Electrical cULus / VDE

- Voltage rating: 300VAC/250VAC
- Current rating: 10A/10A
- Wire range: 0.5-1.5mm²
- Solid wire(AWG): 16-26
- Stranded wire(AWG): 16-26
- Torque: 3.5Lb-In/0.4N.m

△ ● Screw: M3.0

- Wire strip length: 5-6mm
- Withstanding Voltage: 1.6KV/2KV

△ ● Operating temperature: -40°C to +115°C

△ ● Soldering temperature: 260°C±5°C/5 Sec

△ ● Safety Approval:



- Critical dimension:

Poles	02	03	04	05	06	07	08	09	10	11	12	13
Dim L	10.00	15.00	20.00	25.00	30.00	35.00	40.00	45.00	50.00	55.00	60.00	65.00
Dim B	5.00	10.00	15.00	20.00	25.00	30.00	35.00	40.00	45.00	50.00	55.00	60.00
TOL	±0.15						±0.25					
Poles	14	15	16	17	18	19	20	21	22	23	24	
Dim L	70.00	75.00	80.00	85.00	90.00	95.00	100.0	105.0	110.0	115.0	120.0	
Dim B	65.00	70.00	75.00	80.00	85.00	90.00	95.00	100.0	105.0	110.0	115.0	
TOL	±0.35						±0.40					

RoHS Compliant

TOLERANCES ARE

MORETHANALL
PCB CONNECTORS
Cable ASSEMBLIES

DRAWING BY CY

X. ± 0.50

CHECKED BY GENIUS

.X ± 0.30

UNIT / mm

SCALE 1 : 1

.XX ± 0.10

DATE

.XXX ±

ANG ± 1°

SIZE A4

PJECTION



ORDER INFORMATION

TBH050-D10-xx-LF

SERIES

LEADFREE

02-24WAY

HIGH 10.0mm

DIP180°

煜倫股份有限公司

www.morethanall.com

DESCRIPTION: