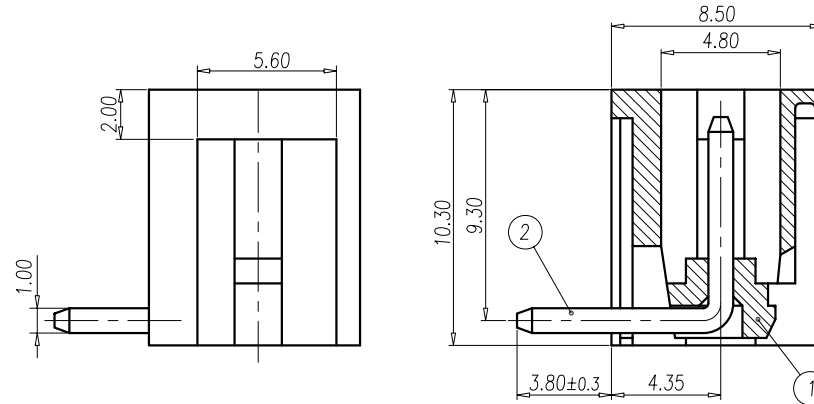


P.C.B. LAYOUT



NOTES:

1. Rating: 300V 10A
PITCH: 3.50mm
2. Insulation Withstands Voltage:
AC 1500 V at 1 minute
3. Insulation Resistance:
500M Ω or more at DC500V
4. Using Temperature Range:
-40°C ~ +105°C

Normal Geometric Tolerancing				
—	//	≡	⊥	
0 to 100	0.2	0.3	0 to 10	0.2
over 100 to 150	0.3		over 10	0.3
over 150	0.5			
Total Pitch Tolerances		Normal dimension Tolerances		
0<U<=30	±0.20	0~30	±0.25	
30<U<=53	±0.25	over 30~53	±0.30	
53<U<=70	±0.30	over 53~70	±0.35	
70<U<=90	±0.35	over 70~90	±0.44	
90<U<=115	±0.44	over 90~115	±0.55	

ITEM	NAME OF PART	MATERIAL	NOTES
2	SOLDER PIN	COPPER ALLOY	Tin Plated
1	HOUSING	PA66	UL94-V0 GREY

RoHS Compliant

TOLERANCES ARE

MORETHANALL
PCB CONNECTORS
Cable ASSEMBLIES

DRAWING BY CY

X. ±

CHECKED BY GENIUS

.X ±

UNIT / mm

SCALE 1 : 1

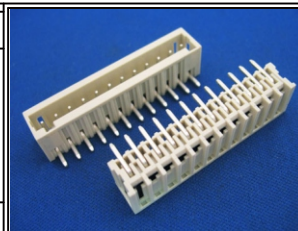
.XXX ±

DATE

ANG ±

SIZE A4

P PROJECTION



ORDER INFORMATION

TBY035-PRB-xx-LF

SERIES | LEADFREE
| 02~24WAY
| BOX
| DIP 90°
| MALE

煜倫股份有限公司

www.morethanall.com

DESCRIPTION: