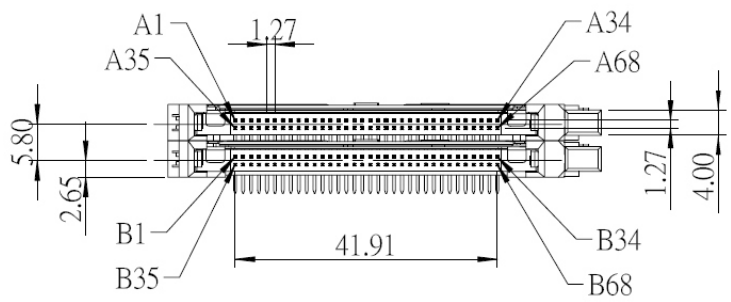


PCB LAYOUT : COMPONENT SIDE



NOTE:

- INSPECTION SYMBOL:
 ● : MANUFACTURER INSPECTION
 ◆ : Q.C INSPECTION
- PLEASE REFER TO TABLE 1 FOR TERMINAL LENGTH.

TABLE 1

PIN TYPE	DIM. L ±0.20	PIN NUMBER
DETECT	3.50 mm	A36,A67,B36,B67
GENERAL	4.25 mm	THE REST
POWER	5.00 mm	A1,A17,A34,A35,A51,A68 B1,B17,B34,B35,B51,B68

RoHS Compliant

TOLERANCES ARE



DRAWING BY CY

X. ±

CHECKED BY GENIUS

.X ±

UNIT / mm

SCALE 1 : 1

.XXX ±

DATE

ANG ±

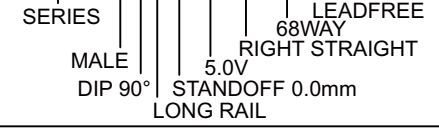
SIZE A4

P PROJECTION



ORDER INFORMATION

PCCB1-PRL00V5RS-68-LF



煜倫股份有限公司

www.morethanall.com

DESCRIPTION: