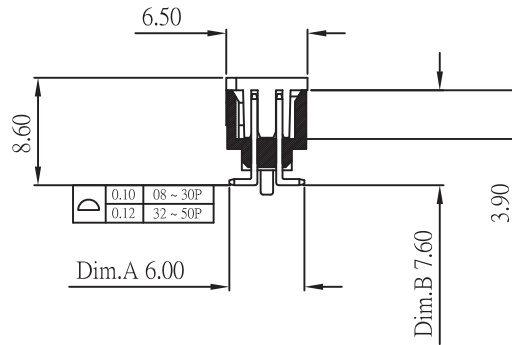
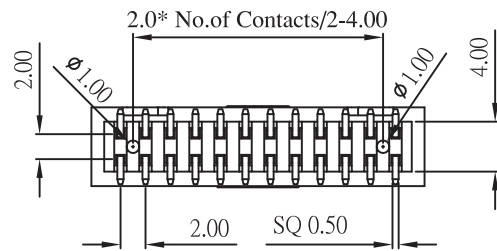


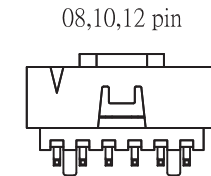
08~20 pin : 0.10mm
22~50 pin : 0.20mm



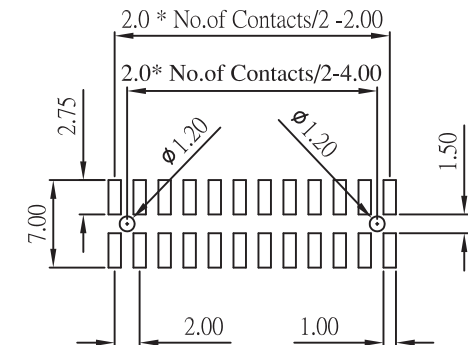
⊙: DIMENSIONS

08 pin	20 pin	34 pin
10 pin	22 pin	40 pin
12 pin	24 pin	44 pin
14 pin	26 pin	50 pin
16 pin	30 pin	

Current Rating and Voltage: 2 Amps 250V AC (r.m.s)
 Insulator Resistance: 5000 Megohms min
 Contact Resistance: 20 m ohms max
 Dielectric Withstanding: 500 V AC
 Operating Temperature: - 40° ~ +105° C
 Max Processing Temp: 230° C for 60 seconds
 Max Processing Temp: 260° C for 10 seconds
 Contact Material: Copper Alloy
 Standard: Brass
 Insulator Material: High Temperature
 Plastic,UL 94V-0
 Finish: Standard: Gold Flash all over



Recommended P.C. Board
SMD Layout



RoHS Compliant

TOLERANCES ARE

MORETHANALL
PCB CONNECTORS
Cable ASSEMBLIES

DRAWING BY CY

X, ±
.X ± 0.30
.XX ± 0.20
.XXX ± 0.10
ANG ±

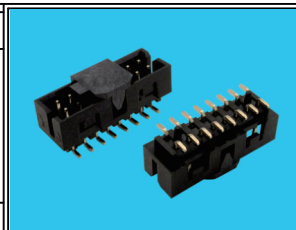
CHECKED BY GENIUS

UNIT / mm SCALE 1 : 1

DATE

SIZE A4

PJECTION



ORDER INFORMATION

MPVK-VPC-2Xxx-LF
 SERIES | LEADFREE
 2X04 :08WAY
 2X25 :50WAY
 CAP
 POST
 180°SMT

煜倫股份有限公司

www.morethanall.com

DESCRIPTION: