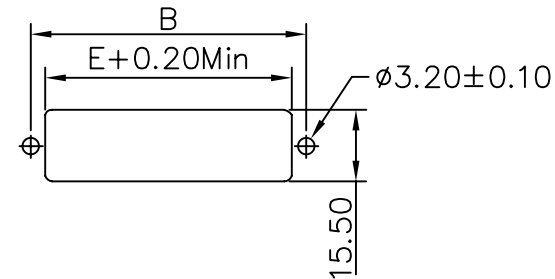
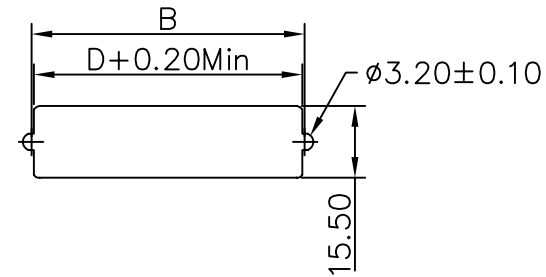
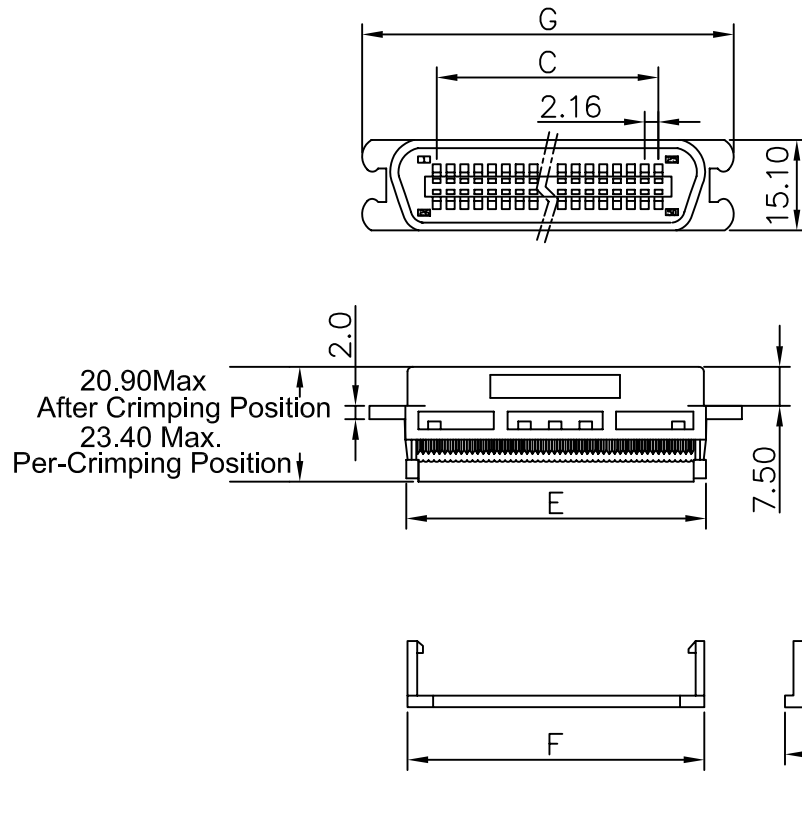


SPECIFICATIONS:

Current Rating:1A AWG#28/1,2A:AWG26
 Contact Resistance:20 Milliohms Max.
 Insulation Resistance:1000 Megohms Min.
 Dielectric Withstanding voltage:500V AC AT Sea Level
 Operating Temperature:-55° C TO +105°C (limited BY cABLE)
 Insulator:Polyester Resin&Glass Reinforced(UL 94V-0)
 Contact:Phosphor Bronze,Gold Plated Over Nickel



Number of Positions	A	B	C	D	E	G	F
	±0.25	±0.13	±0.13	±0.25	±0.25	±0.25	±0.25
36		58.80	36.72	58.80	53.30	61.60	54.40
50		74.25	51.84	74.25	68.50	76.70	70.50

RoHS Compliant

TOLERANCES ARE

MORETHANALL
 PCB CONNECTORS
 Cable ASSEMBLIES

DRAWING BY CY

CHECKED BY GENIUS

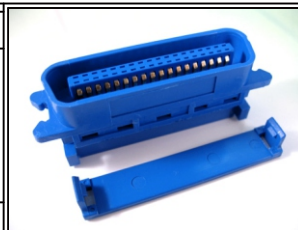
UNIT / mm SCALE 1 : 1

DATE

SIZE A4

X. ±
 .X ±
 .XX ±
 .XXX ±
 ANG ±

PJECTION



ORDER INFORMATION

CFP-P-xx-LF
 SERIES | LEADFREE
 36.50WAY
 MALE

煜倫股份有限公司

www.morethanall.com

DESCRIPTION: