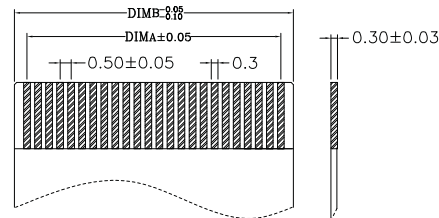
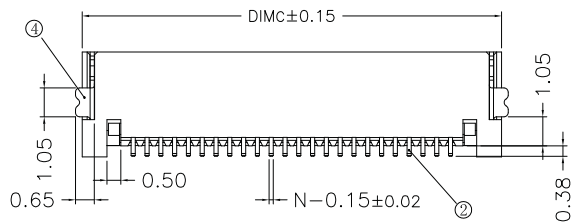
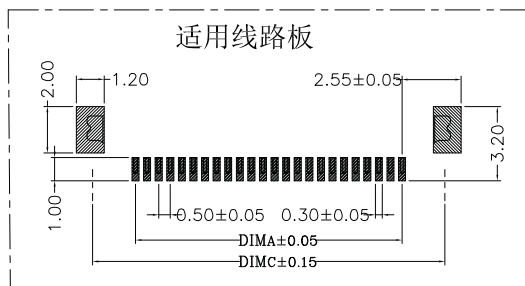


SECTION A-A



FFC Cable



Item	Product name	Material
①	Housing (H1.2)	LCP UL94V-0 Natural Color
②	Terminal (H1.2)	Phosphor bronze/Tin-plate or Gold
③	Cover (H1.2)	LCP UL94V-0 Black
④	Soldering pad (H1.2)	Brass/Tin-plate

SPEC :

1. Housing: High-Temp Plastic, UL94-V
Color: Natural (Ivory) (LCP)
2. Locker: High-Temp Plastic, UL94-V
Color: Black (LCP)
3. Contact: Phosphor Bronze (C5191)
4. Solder Tab: BRASS (C2680)
5. Operating Voltage (Max): 50V AC
6. Current Rating (Max): 0.4A DC
7. Operating Temperature Range : -45°C ~ +85°C

No. of contacts	Dimensions				No. of contacts	Dimensions			
	A	B	C	D		A	B	C	D
4	1.50	2.52	5.20	5.68	33	16.00	17.02	19.70	20.18
5	2.00	3.02	5.70	6.18	34	16.50	17.52	20.20	20.68
6	2.50	3.52	6.20	6.68	35	17.00	18.02	20.70	21.18
7	3.00	4.02	6.70	7.18	36	17.50	18.52	21.20	21.68
8	3.50	4.52	7.20	7.68	37	18.00	19.02	21.70	22.18
9	4.00	5.02	7.70	8.18	38	18.50	19.52	22.20	22.68
10	4.50	5.52	8.20	8.68	39	19.00	20.02	22.70	23.18
11	5.00	6.02	8.70	9.18	40	19.50	20.52	23.20	23.68
12	5.50	6.52	9.20	9.68	41	20.00	21.02	23.70	24.18
13	6.00	7.02	9.70	10.18	42	20.50	21.52	24.20	24.68
14	6.50	7.52	10.20	10.68	43	21.00	22.02	24.70	25.18
15	7.00	8.02	10.70	11.18	44	21.50	22.52	25.20	25.68
16	7.50	8.52	11.20	11.68	45	22.00	23.02	25.70	26.18
17	8.00	9.02	11.70	12.18	46	22.50	23.52	26.20	26.68
18	8.50	9.52	12.20	12.68	47	23.00	24.02	26.70	27.18
19	9.00	10.02	12.70	13.18	48	23.50	24.52	27.20	27.68
20	9.50	10.52	13.20	13.68	49	24.00	25.02	27.70	28.18
21	10.00	11.02	13.70	14.18	50	24.50	25.52	28.20	28.68
22	10.50	11.52	14.20	14.68	51	25.00	26.02	28.70	29.18
23	11.00	12.02	14.70	15.18	52	25.50	26.52	29.20	29.68
24	11.50	12.52	15.20	15.68	53	26.00	27.02	29.70	30.18
25	12.00	13.02	15.70	16.18	54	26.50	27.52	30.20	30.68
26	12.50	13.52	16.20	16.68	55	27.00	28.02	30.70	31.18
27	13.00	14.02	16.70	17.18	56	27.50	28.52	31.20	31.68
28	13.50	14.52	17.20	17.68	57	28.00	29.02	31.70	32.18
29	14.00	15.02	17.70	18.18	58	28.50	29.52	32.20	32.68
30	14.50	15.52	18.20	18.68	59	29.00	30.02	32.70	33.18
31	15.00	16.02	18.70	19.18	60	29.50	30.52	33.20	33.68
32	15.50	16.52	19.20	19.68					

RoHS Compliant

TOLERANCES ARE

MORETHANALL
PCB CONNECTORS
Cable ASSEMBLIES

DRAWING BY CY

CHECKED BY GENIUS

UNIT / mm

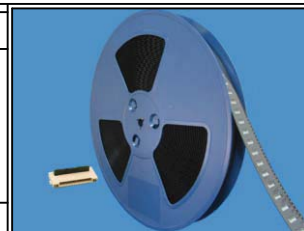
SCALE 1 : 1

DATE

SIZE A4

PJECTION

X, ±
.X ± 0.30
.XX ± 0.20
.XXX ± 0.10
ANG ±



ORDER INFORMATION

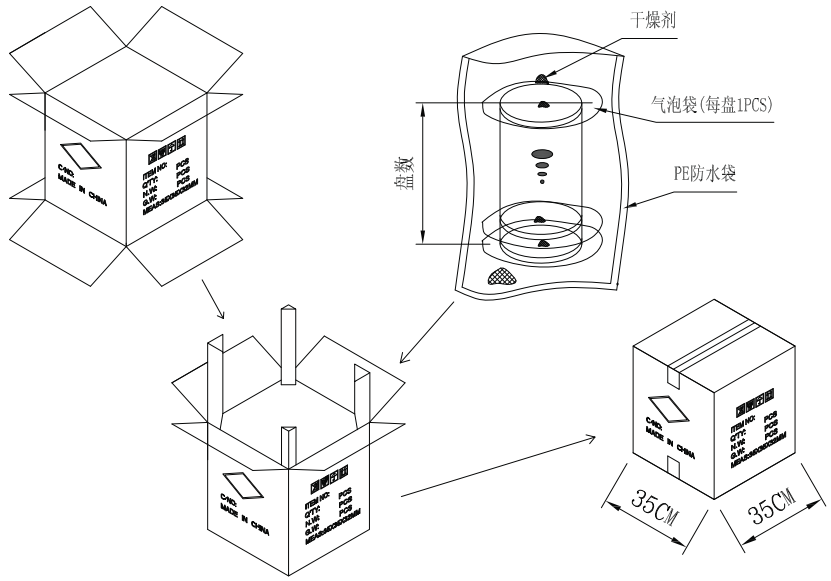
FPV-WRD12GF3R-xx-LF

SERIES | | | | LEADFREE
| | | | 04-60WAY
90°SMT | | | | REEL
ROTARY ZIF | | | | CABLE t=0.3mm
DUAL CONTACTS | | | | GOLD
HIGH 1.2mm

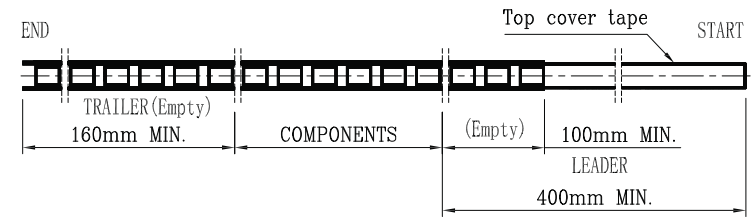
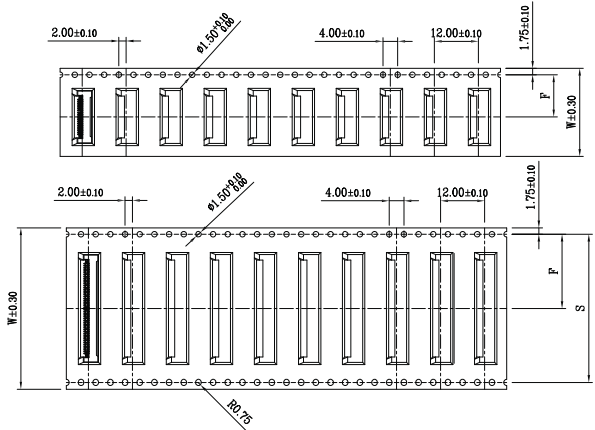
DESCRIPTION:

煜倫股份有限公司

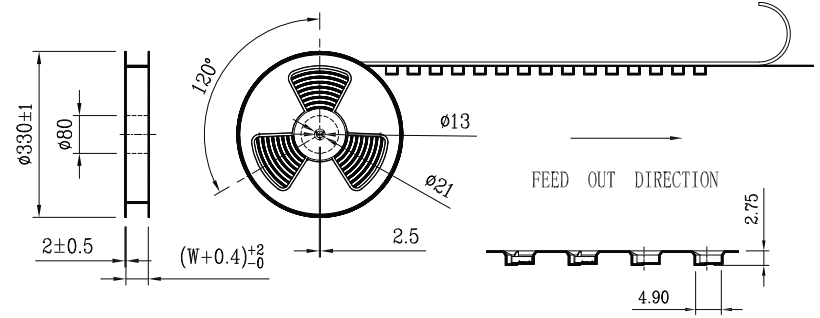
www.morethanall.com



- NOTES :
- 1.CARTON SPEC. :350 *350 *340mm(OUT DIM) , PAPPER THICKNESS =5mm
 - 2.UPPER and DOWN EPS: 340*340mm THICKNESS =8mm.
 - 3.THE COVER TAPE PEELING FORCE:30~100g.
 - 4.PER REEL CASED ONE AIR BLADDER BAG.
 - 5.CARRIER TAPE COLOR:BLACK.
 - 6.COMMENCE AND ENDED 200mm(16PCS) DON'T PUT IN PRODUCE.



PIN NO.	W	F	S	PCS /REEL	REEL/CARTON	SUM(PCS)
4PIN~10PIN	16	7.5	—	2000	14	28000
1PIN~24PIN	24	11.5	—	2000	10	20000
25PIN~34PIN	32	14.2	28.4	2000	8	16000
37PIN~55PIN	44	20.2	40.4	2000	6	12000
55PIN~60PIN	56	26.2	52.4.4	2000	6	12000



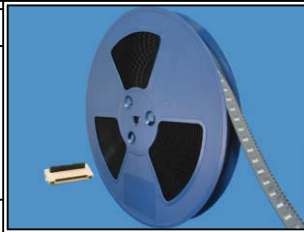
RoHS Compliant

TOLERANCES ARE

MORETHANALL
PCB CONNECTORS
Cable ASSEMBLIES
煜倫股份有限公司

DRAWING BY CY
CHECKED BY GENIUS
UNIT / mm SCALE 1 : 1
DATE
SIZE A4 PPROJECTION

X, ±
.X ± 0.30
.XX ± 0.20
.XXX ± 0.10
ANG ±



ORDER INFORMATION

FPV-WRD12GF3R-xx-LF
SERIES | | | | LEADFREE
| | | | 04~60WAY
90°SMT | | | | REEL
ROTARY ZIF | | | | CABLE t=0.3mm
DUAL CONTACTS | | | | GOLD HIGH 1.2mm

DESCRIPTION:

www.morethanall.com