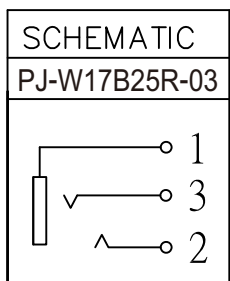


T:1.6 Dimensions of PC board holes
Tolerance : ± 0.1 (Printed-top view)



4	HOUSING	1	PA9T	UL-94V0(BLACK)
3	CONTACT FOOT	1	C5191	MB:Ni Ag PLATED
2	CONTACT FOOT	1	C5191	MB:Ni Ag PLATED
1	CONTACT FOOT	1	C5191	MB:Ni Ag PLATED
LTR	PART NAME	QTY	MATERIAL	REMARK

UNLESS OTHERWISE SPECIFIED, TOLERANCE ON DECIMAL: ± 0.2

RoHS Compliant

TOLERANCES ARE

MORETHANALL
PCB CONNECTORS
Cable ASSEMBLIES

DRAWING BY CY

X. \pm

CHECKED BY GENIUS

.X \pm

UNIT / mm

SCALE 1 : 1

.XX \pm

.XXX \pm

ANG \pm

DATE

SIZE A4

P PROJECTION

照片框

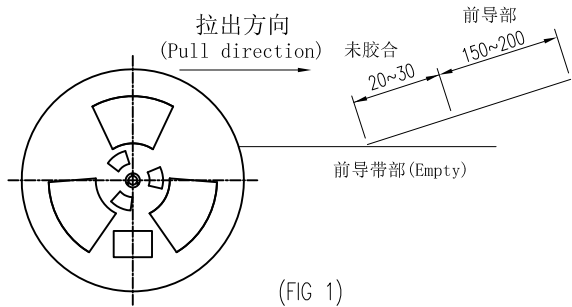
ORDER INFORMATION

PJ-W17B25R-03-LF
SERIES | LEADFREE
03 WAY
REEL
BUSHING 2.5mm
POST 1.7+7.0mm
90°SMT

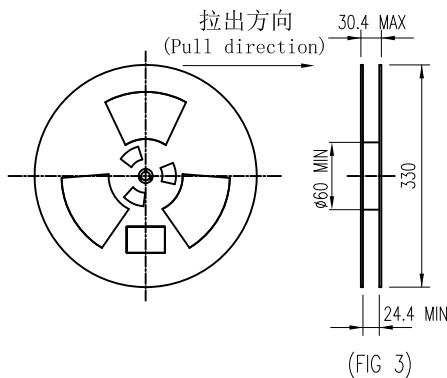
煜倫股份有限公司

www.morethanall.com

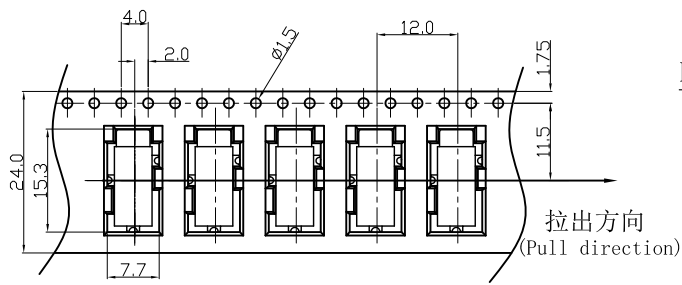
DESCRIPTION:



(FIG 1)

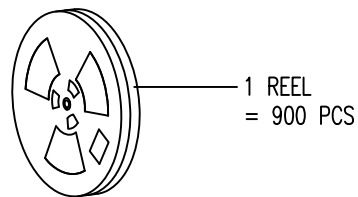


(FIG 3)

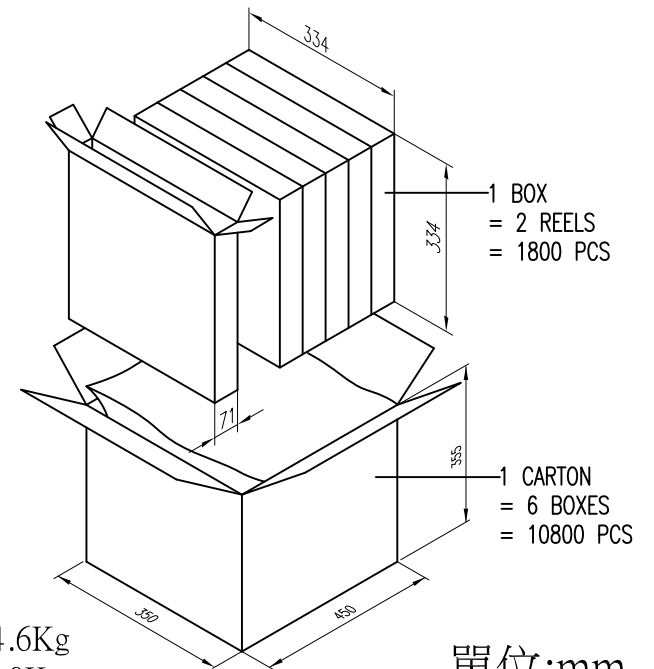


(FIG 2)

Reel外觀尺寸?D



1 REEL
= 900 PCS



淨重: 4.6Kg
毛重: 6.0Kg

單位:mm

REMARK:

- 1.The connector can not be loaded on the position of length 240~360mm in the reel tape and lead tape.The cover tape with 20~30mm length shall not be adhesive on the lead tape and the cover tape is lead portion shall have 150~200mm length (Refer FIG 1).
- 2.Tape shall turn on right direction.
- 3.The direction of connector is fixed regarding the position of terminal,please refer outline drawing (Refer FIG 2).
- 4.After winding,using the adhesive tape(30~50mm) to stick the leader of cover tape on the side of reel.
- 5.One reel can be loaded 900 pcs connector.
- 6.The label shall be pasted on the front side of reel (Refer FIG 3).
- 7.Condition of 300mm per minute ,the extraction strength of cover tape shall reach 20~150 gf.
- 8.If the quantity is less then 6 reel in one carton,the packing shall be able to resist to shark.

RoHS Compliant

TOLERANCES ARE

MORETHANALL
PCB CONNECTORS
Cable ASSEMBLIES

煜倫股份有限公司

www.morethanall.com

DRAWING BY CY

CHECKED BY GENIUS

UNIT / mm SCALE 1 : 1

DATE

SIZE A4

X, ±
.X ±
.XX ±
.XXX ±
ANG ±

P PROJECTION

照片框

ORDER INFORMATION

PJ-W17B25R-03-LF
SERIES | LEADFREE
03 WAY
REEL
BUSHING 2.5mm
POST 1.7+7.0mm
90°SMT

DESCRIPTION: