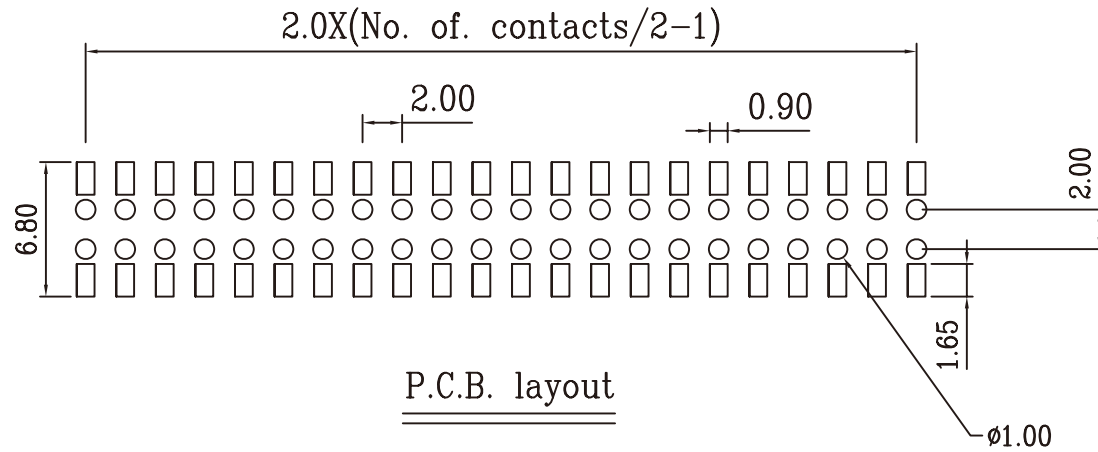


SPECIFICATIONS

- * Current Rating : 1 Amps
- * Insulator resistance: 5000 Megohms min.
- * Dielectric withstanding: AC 500 V
- * Operating Temperature: -40°-+105°C
- * Max Processing Temp: 230° for 30 seconds
(260° for 7 seconds)
- * Contact Material: Phosphor bronze
- * Housing: L.C.P. (UL 94 V-0)



RoHS Compliant

TOLERANCES ARE

MORETHANALL
PCB CONNECTORS
Cable ASSEMBLIES

DRAWING BY CY

CHECKED BY GENIUS

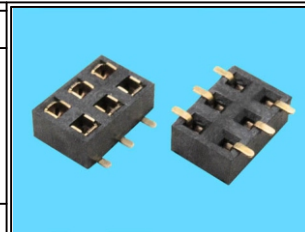
UNIT/ mm SCALE 1:1

DATE

SIZE A4

X, ±
.X ±
.XX ±
.XXX ±
ANG ±

P PROJECTION



ORDER INFORMATION

S-Z24X-2Xxx-LF
 SERIES | LEADFREE
 | 2X03:06WAY
 | 2X50:100WAY
 BOTTOM ENTRY | NON POST
 HIGH 2.40mm

煜倫股份有限公司

www.morethanall.com

DESCRIPTION: 2.0mm Female Socket h=2.4mm Bottom Entry type