

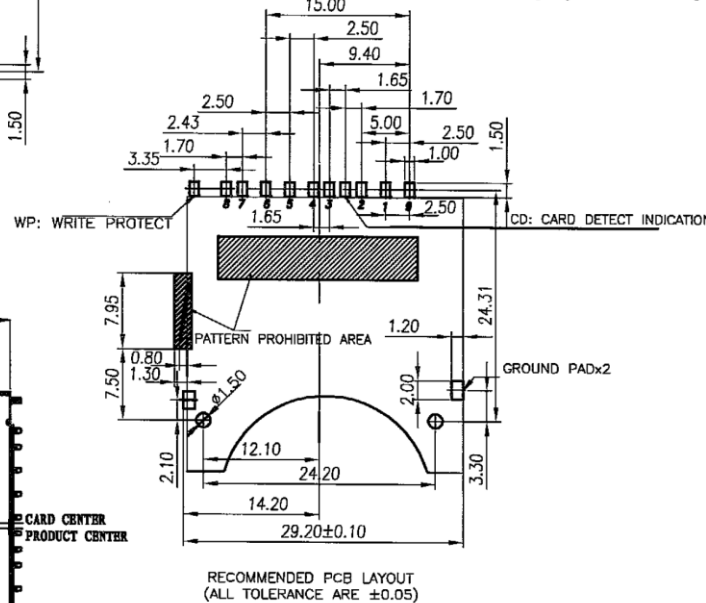
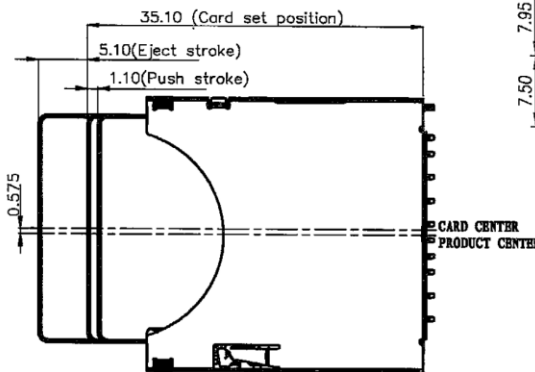
SPECIFICATION

1.Material:

Insulator: LCP, rated UL94V-0,color:black.
 Contacts: Phosphor Bronze,
 Tin 160u" at Solder Tail,
 Selected Gold on Contact Area Plating.
 Ground:Phosphor Bronze,Tin 160u".
 Shell: Stainless.

2.Electrical Characteristics:

Operating voltage : 50V(AC/DC).
 Current rating : 0.5 A.
 Operating Temperature: -25°C~+90°C.
 Insulation resistance: 1000M ohms min. at 500VDC
 Dielectric withstanding voltage:500 VAC/1minute.
 Contact resistance: 100m ohms max.
 Mating cycle: 10000 cycles, spring is not breaking..



CIRCUIT:		CIRCUIT:		CIRCUIT:	
WP	GROUND	WP	GROUND	WP	GROUND
CD	#3	CD	#3	CD	#3
WITHOUT CARD		CARD INSERTED WRITE PROTECT : LOCK		CARD INSERTED WRITE PROTECT : UNLOCK	

Pin No.		SD	MMC
P1	MMC-DAT3 SD-CD/DAT3	1P	1P
P2	MMC-CMD SD-CMD	2P	2P
P3	MMC-VSS1 SD-VSS1	3P	3P
P4	MMC-VDD SD-VDD	4P	4P
P5	MMC-CLK SD-CLK	5P	5P
P6	MMC-VSS2 SD-VSS2	6P	6P
P7	MMC-DAT0 SD-DAT0	7P	7F
P8	SD-DAT1	8P	
P9	SD-DAT2	9P	

RoHS Compliant

TOLERANCES ARE

MORETHANALL
 PCB CONNECTORS
 Cable ASSEMBLIES

DRAWING BY CY

CHECKED BY GENIUS

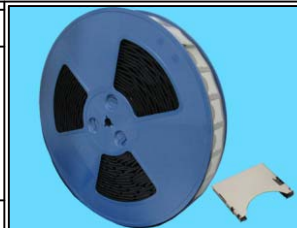
UNIT / mm SCALE 1 : 1

DATE

SIZE A4

X, ±
 X, ±
 .XX ±
 .XXX ±
 ANG ±

P PROJECTION



ORDER INFORMATION

SDC-W24PB02R-09-LF

SERIES | | | | | LEADFREE

90°SMT REEL PAD 0+2

POST TO POST 24.2mm B TYPE

PUSH PUSH

煜倫股份有限公司

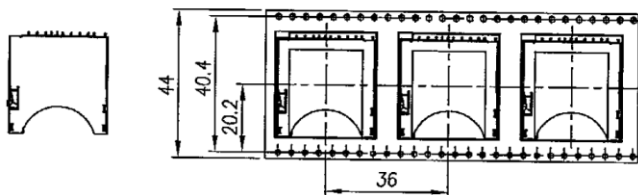
www.morethanall.com

DESCRIPTION:

包裝作業圖示及說明

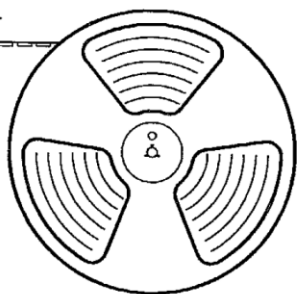
(PACKING OPERATION DIAGRAM & INSTRUCTION)

- 一.
- (1) 將成品一一放入REEL 包裝盤內, 依同依方向放入
 - (2) 包裝時, 如圖所示
 - (3) 一個REEL 包裝盤放置450個成品



- 二.
- (1) 裝盤前把前面空10PCS產品, 然後再開始裝盤, 尾端也需空10CS產品.
 - (2) 裝滿成品的REEL 包裝盤如下圖所示.

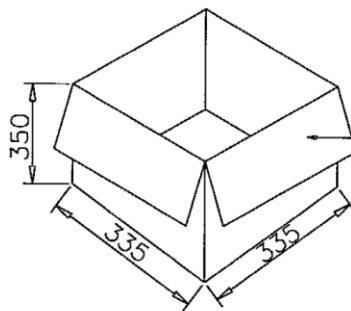
PULL OUT DIRECTION



- 三.
- (1) 每箱裝6 盤REEL 包裝盤
 - (2) 每箱放置2700PCS的成品

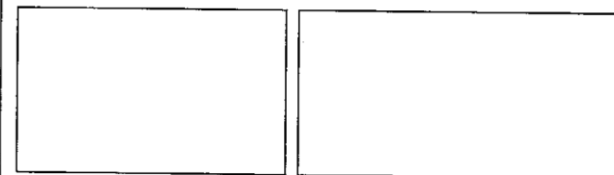


REEL 盤(W06-0009)



紙箱(W01-0006)

- 四.
- (1) 用TPAE 將紙箱封實



備 註 (REMARK)

1. 若有未裝滿之零數箱, 必須以緩衝材塞滿 .

RoHS Compliant

TOLERANCES ARE

MORETHANALL
PCB CONNECTORS
Cable ASSEMBLIES
煜倫股份有限公司

DRAWING BY CY

CHECKED BY GENIUS

UNIT / mm SCALE 1 : 1

DATE

SIZE A4

X, ±
.X ±
.XX ±
.XXX ±
ANG ±

PPOJECTION



ORDER INFORMATION

SDC-W24PB02R-09-LF

SERIES | | | | | LEADFREE

90°SMT REEL 09WAY

PAD 0+2

B TYPE

PUSH PUSH

POST TO POST 24.2mm

DESCRIPTION:

www.morethanall.com