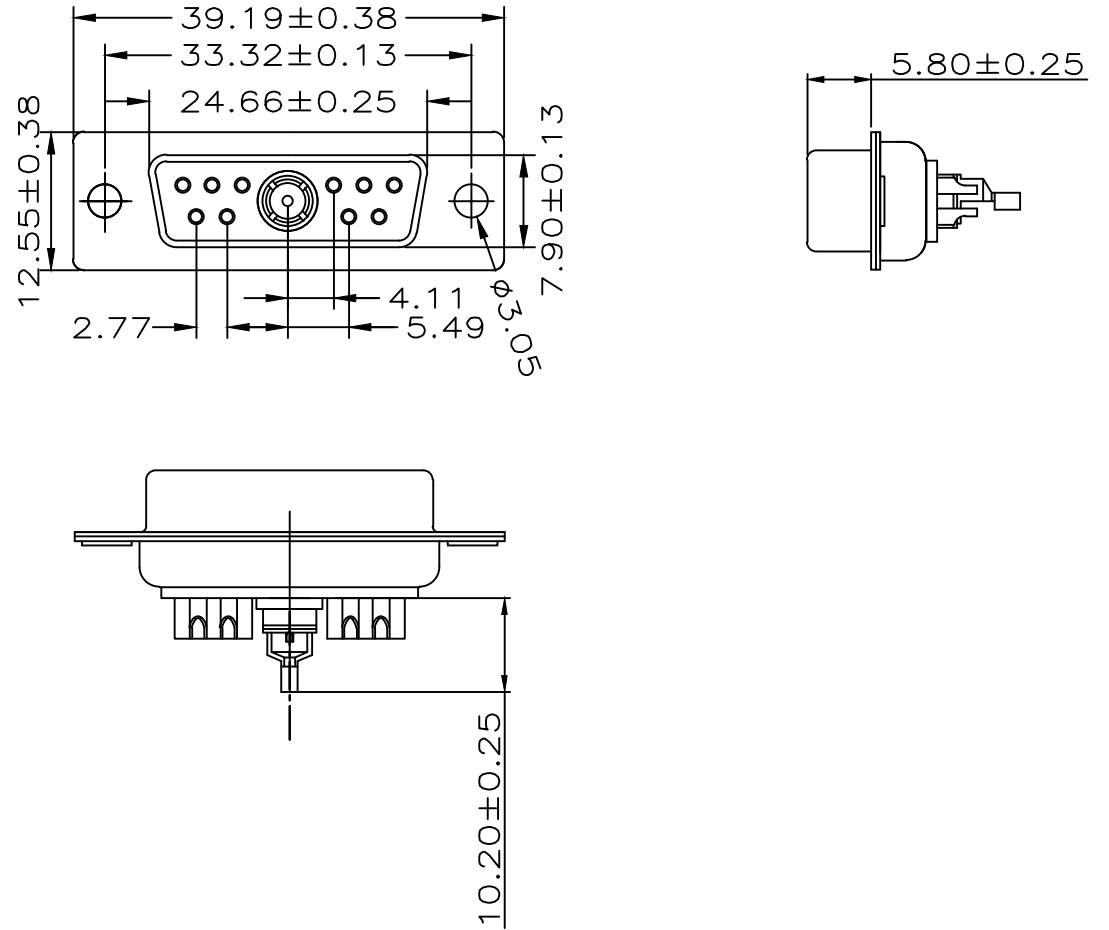


Table 1 Material	
Coaxial Contact	Brass
Power Contact	Brass
Signal Contact	Brass
Metal Shell	Steel/Dimples on Plug only
Insulator	UL94V-0 Thermoplastic 30% glass filled
Coaxial Center Insulator	Teflon

Table 2 Finish	
Coaxial Contact	Gold-plated
Power Contact	Gold-plated
Signal Contact	Gold-plated
Metal Shell	Tin or nickel plated

Table 3 Electrical Data	
Current Rating	
Signal Contact	5 Amp
Power Contact	10 - 40 Amp
Operating Temperature	-55°C - +125°C
Insulator Resistance	Minimum 5000 MΩ
Contact Resistance	Maximum 10mΩ
Dielectric w/standing Volt	1000 V AC per min
Coaxial contact impedance	75Ω



RoHS Compliant

TOLERANCES ARE

MORETHANALL
PCB CONNECTORS
Cable ASSEMBLIES

煜倫股份有限公司

www.morethanall.com

DRAWING BY CY

CHECKED BY GENIUS

UNIT / mm SCALE 1:1

DATE

SIZE A4

PJECTION

X.±
.X±
.XX±
.XXX±
ANG±



ORDER INFORMATION

DXS-S75-11W1-LF
SERIES | 11W1 | LEADFREE
75 OHM
FEMALE

DESCRIPTION: