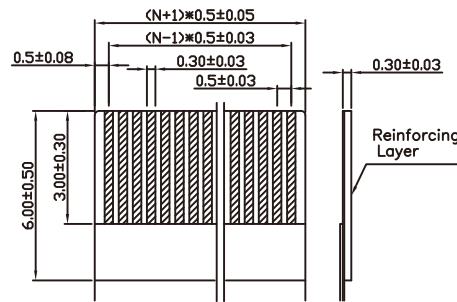


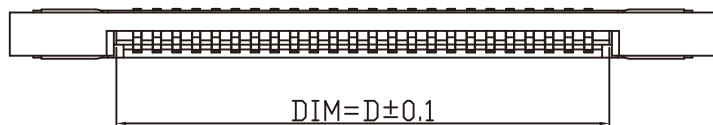
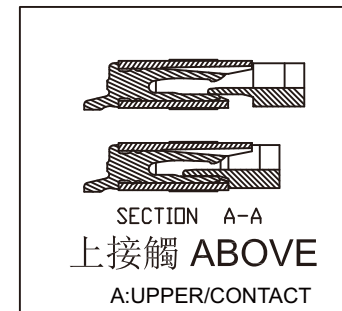
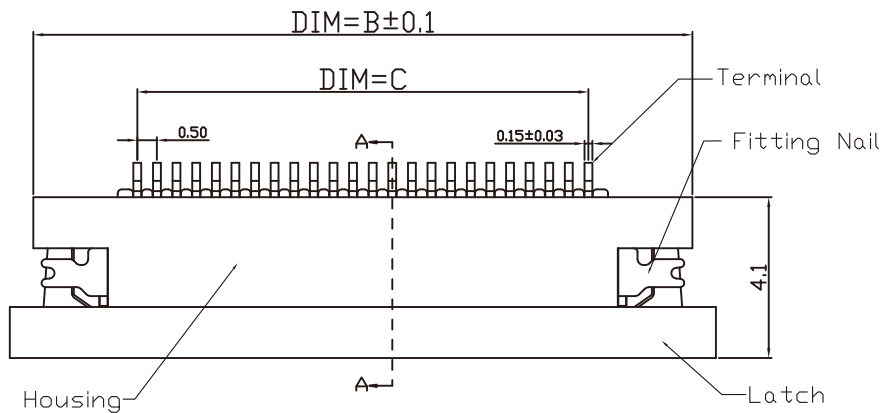
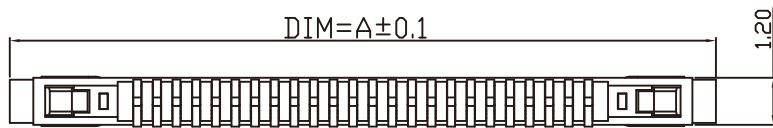
PCB LAYOUT



RECOMMENDED FFC/FPC DIM.

Material:

- 1.1 Housing: thermoplastic high temp. UL94V-0; Color: Natural.
- 1.2 Latch: thermoplastic high temp. UL94V-0; Color: Black.
- 1.3 Terminal: Copper Alloy.
- 1.4 Fitting Nail: Copper Alloy.



PIN NO.	DIM. A	DIM. B	DIM. C	DIM. D
N=4~60	0.5×N+6.0	0.5×N+4.8	0.5×(N-1)	0.5×N+0.6

RoHS Compliant

TOLERANCES ARE

**MORETHANALL**  
PCB CONNECTORS  
Cable ASSEMBLIES

DRAWING BY CY

CHECKED BY GENIUS

UNIT / mm

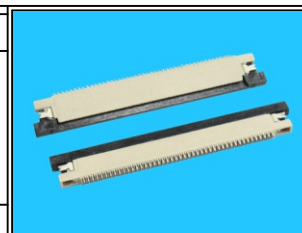
SCALE 1 : 1

DATE

SIZE A4

X, ±  
.X ± 0.20  
.XX ± 0.15  
.XXX ± 0.10  
ANG ±

PJECTION



ORDER INFORMATION

FPV-WZA12-xx-LF  
SERIES | | | LEADFREE  
04-60WAY  
HIGH 1.2mm  
A:UPPER/CONTACT  
ZIF  
90°SMT

煜倫股份有限公司

www.morethanall.com

DESCRIPTION: 0.5mm ZIF FPC CONNECTOR SMT R/A TYPE H=1.2