

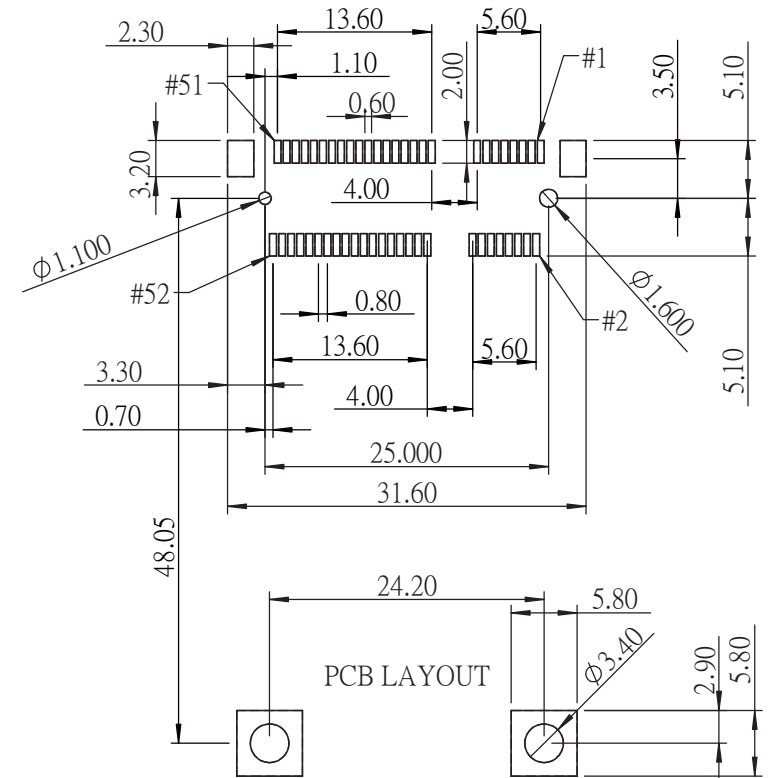
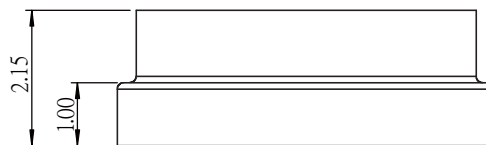
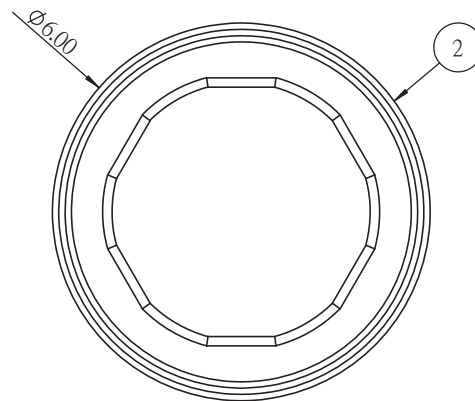
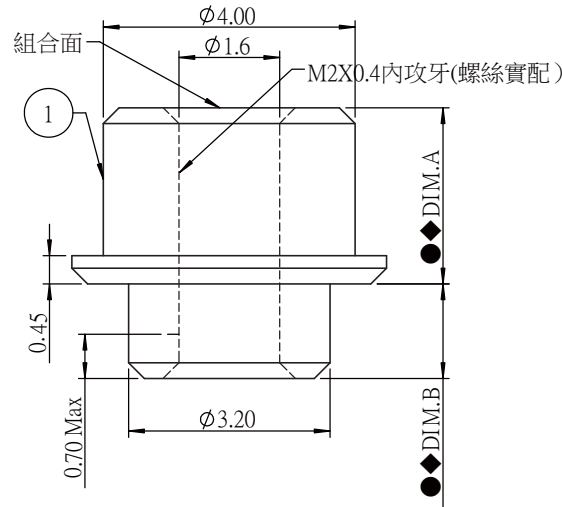
NOTE:

1. INSPECTION SYMBOL:

- :MANUFACTURER INSPECTION
- ◆:Q.C INSPECTION

2.REMARK:

- (1): HARDWARE:BRASS ;
FINISH:MATTE TIN PLATING OVER NICKEL
- (2): PLASTIC(OPTION),LCP, COLOR:BLACK(UL94V-0) .
- 3.PLEASE REFER TO TABLE 1 FOR THE LENGTH STANDARDS.
- 4. 高度3.2及以上允許無效牙0.7MAX且內徑底部不倒角，材質&電鍍需符合無有害物質



PART NO.	DIM.A±0.10	DIM.B±0.10
MPCI-LS40CR-052	1.60	1.50
MPCI-LS52CR-052	2.80	1.50
MPCI-LS56CR-052	3.20	1.50
MPCI-LS60CR-052	3.60	1.50
MPCI-LS68CR-052	4.40	1.50
MPCI-LS80CR-052	5.60	1.50
MPCI-LS90CR-052	6.60	1.50
MPCI-LS92CR-052	6.80	1.50
MPCI-LS99CR-052	7.50	1.50

RoHS Compliant

TOLERANCES ARE

MORETHANALL
PCB CONNECTORS
Cable ASSEMBLIES

DRAWING BY CY

CHECKED BY GENIUS

UNIT/ mm SCALE 1:1

DATE

SIZE A4

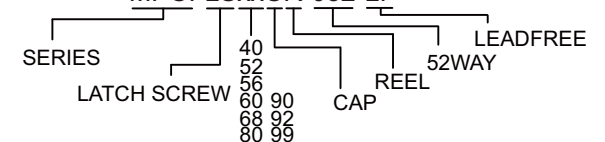
X. ± 0.30
X ± 0.30
.XX ± 0.10
.XXX ± 0.05
ANG ± 1°

P PROJECTION



ORDER INFORMATION

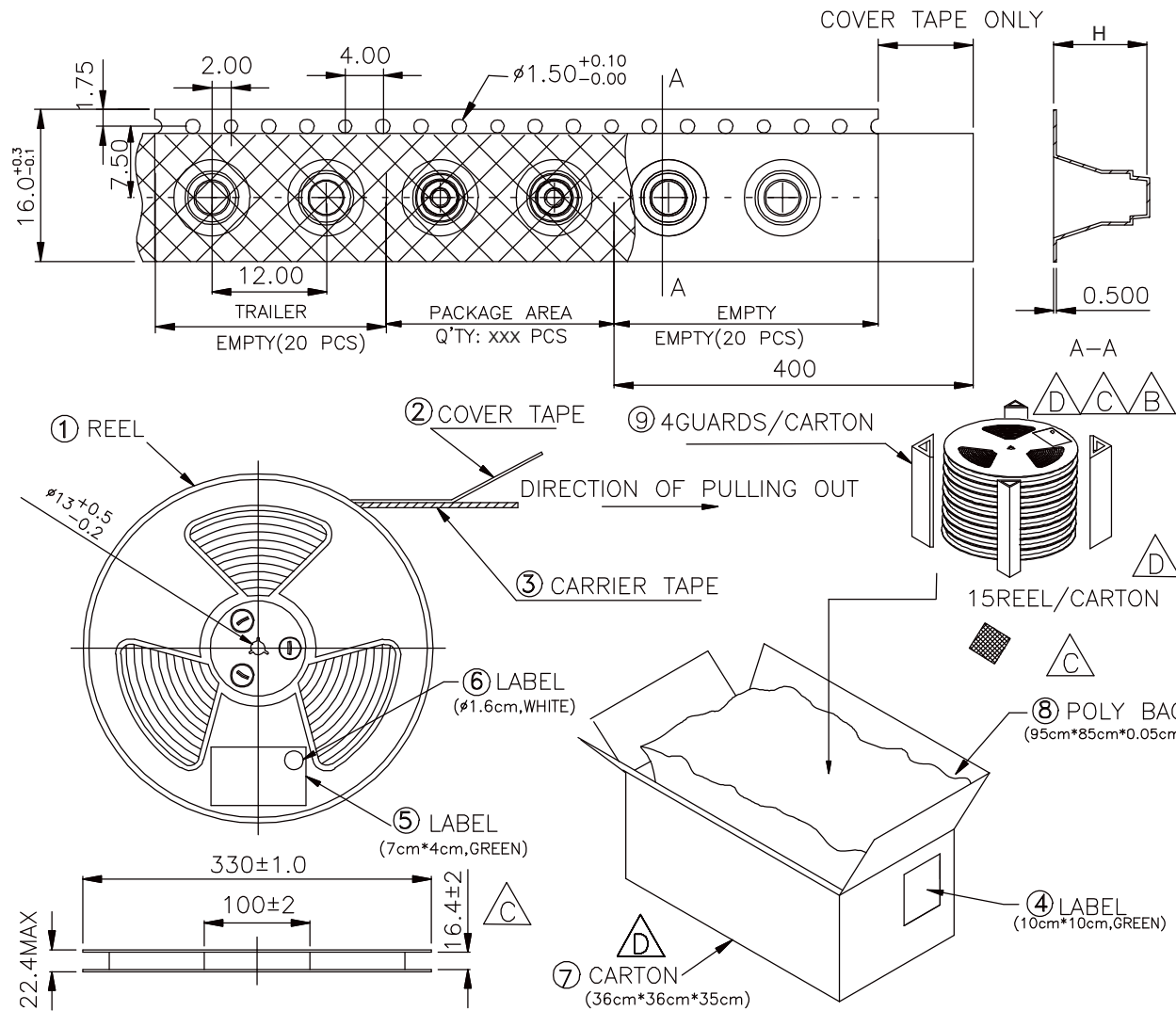
MPCI-LSxxCR-052-LF



DESCRIPTION:

煜倫股份有限公司

www.morethanall.com



P/N	H
MPCI-LS52CR-052	5.90
MPCI-LS56CR-052	6.30
MPCI-LS68CR-052	7.40
MPCI-LS80CR-052	8.60
MPCI-LS92CR-052	9.80

	MATERIAL	P/N	REMARKS
1	REEL	REEL-RA116	H=22.4MAX
2	COVER	REEL-UC133	W=13.3mm
3	CARRIER TAPE	REEL-052	W=16mm
4	LABEL(for RoHS)	CTP-0002	1 LABEL/CARTON
5	LABEL(for RoHS)	CTB-0004	1 LABEL/REEL
6	LABEL(for RoHS)	CTB-0005	1 LABEL/REEL
7	CARTON	CTN-C100Y	CARTON/15REEL/ xxx pcs (ONE SET=TWO PIECES)
8	POLY BAG	P-0001	1 BAG/CARTON
9	GUARD	CTN-N3025	4 GUARDS/CARTON
10			

5.2mm=900pcs X 15REEL = 13500 PCS
 5.6mm= 800pcs X 15REEL = 12000PCS
 6.8mm=450pcs X 15REEL = 6750PCS
 8.0mm=400pcs X 15REEL = 6000PCS
 9.2mm=300pcs X 15REEL = 4500PCS

RoHS Compliant

TOLERANCES ARE

MORETHANALL
 PCB CONNECTORS
 Cable ASSEMBLIES

煜倫股份有限公司

www.morethanall.com

DRAWING BY CY

CHECKED BY GENIUS

UNIT/mm

SCALE 1:1

DATE

SIZE A4

X. ± 0.30

.X ± 0.20

.XX ± 0.10

.XXX ± 0.05

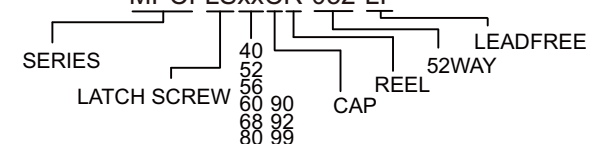
ANG ±

PJECTION



ORDER INFORMATION

MPCI-LSxxCR-052-LF



DESCRIPTION: PACKING INFORMATION