

PIN NUMBER:
1 6 2 7 3 8 4 9 5

R RECOMMENDED PCB LAYOUT
TOLERANCE:±0.05(TOP VIEW)

NOTES:

1.MATERIAL:

HOUSING:HIGH TEMP THERMOPLASTIC,UL94V-0
TERMINAL:PHOSPHOR BRONZE
METAL SHELL:SPCC
BOARD LOCK & NUT:BRASS

2.PLATING:

TERMINAL:
CONTACT AREA:SELECTIVE GOLD(Au) PLATING
SOLDER TAIL:TIN(Sn),THICKNESS=100 MICROINCH MIN.(2.54 MICROINCH MIN.)
UNDER PLATE:NICKEL(Ni),THICKNESS=50 MICROINCH MIN.(1.27 MICROMETER MIN.)

METAL SHELL:

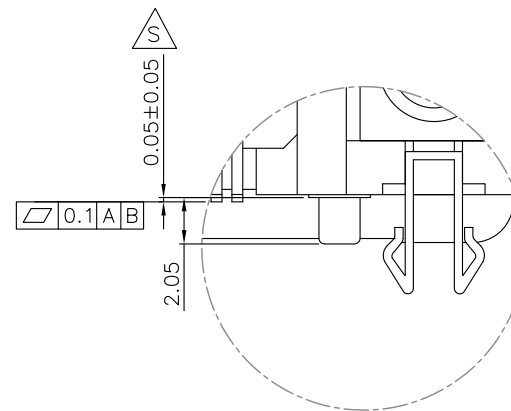
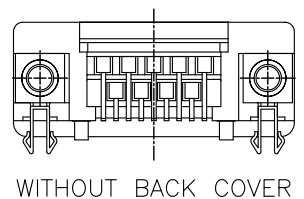
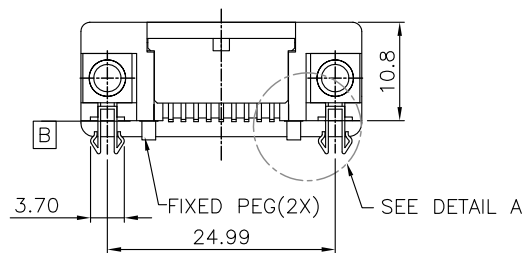
NICKEL(Ni),THICKNESS=80 MICROINCH MIN.(2.032 MICROMETER MIN.)
UNDER PLATE:COPPER(Cu),THICKNESS=40 MICROINCH MIN.(1.016 MICROMETER MIN.)

BOARD LOCK:

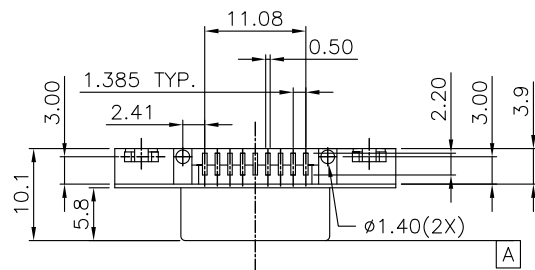
TIN(Sn),THICKNESS=80 MICROINCH MIN.(2.032 MICROMETER MIN.)
UNDER PLATE:NICKEL(Ni),THICKNESS=50 MICROINCH MIN.(1.27 MICROMETER MIN.)

NUT:NICKEL(Ni),THICKNESS=50 MICROINCH MIN.(1.27 MICROMETER MIN.)

3.RECOMMENDED PCB THICKNESS:1.60±0.05mm



DETAIL A
SCALE 3:1



RoHS Compliant

TOLERANCES ARE

MORETHANALL
PCB CONNECTORS
Cable ASSEMBLIES

DRAWING BY CY

CHECKED BY GENIUS

UNIT / mm

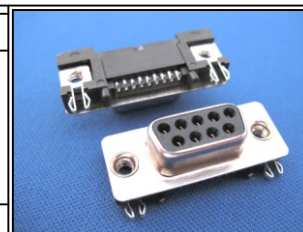
SCALE 1 : 1

DATE

SIZE A4

PPOJECTION

X, ±
.X ± 0.30
.XX ± 0.20
.XXX ± 0.10
ANG ± 3°



ORDER INFORMATION

DW-SN22-09-LF
SERIES | CLIP | LEADFREE
NUT | 09 WAY
FEMALE

煜倫股份有限公司

www.morethanall.com

DESCRIPTION: D SUBMINIATURE, RIGHT ANGLE
SURFACE-MOUNT LOW PROFILE 9 POSITION, FEMALE