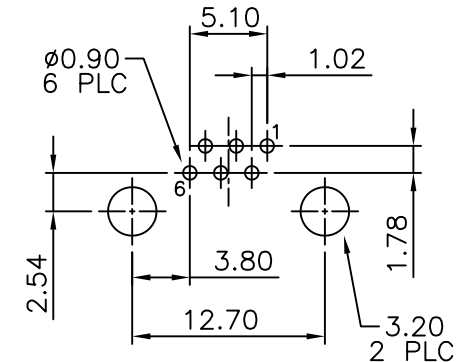
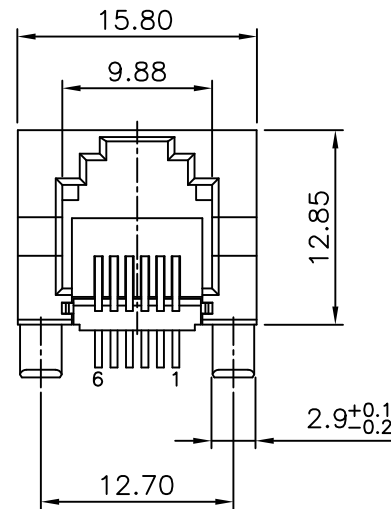
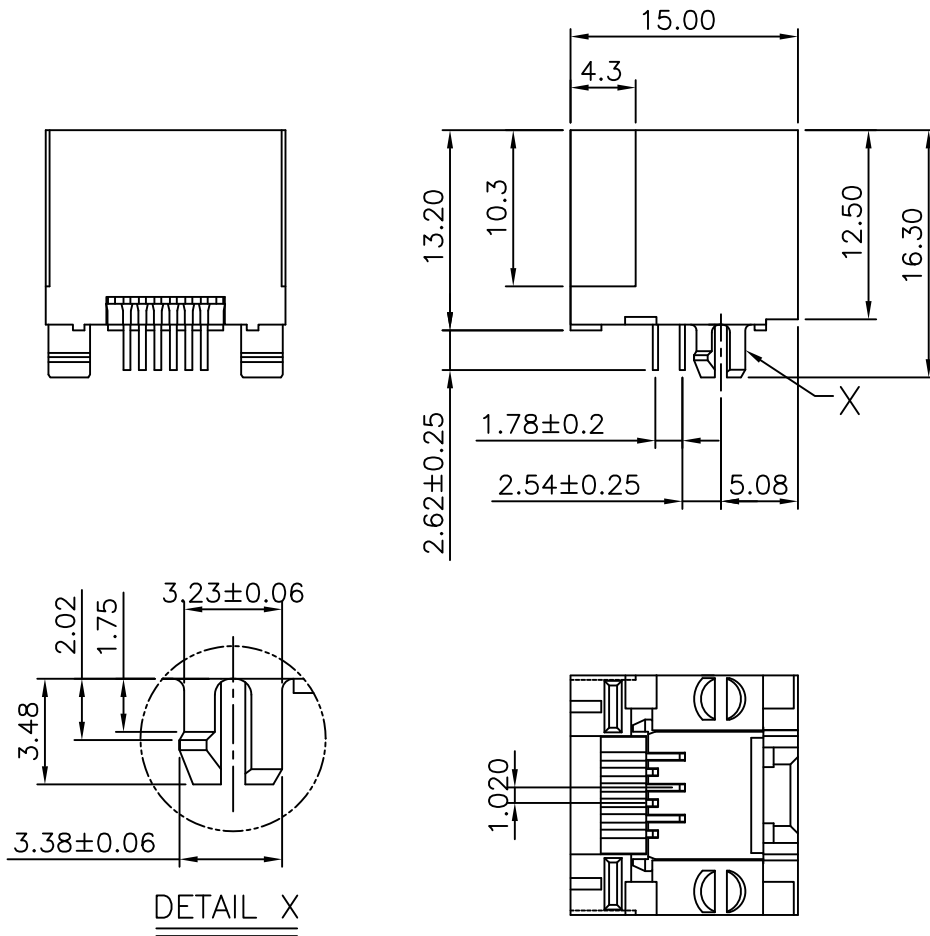


MATERIAL:

- HOUSING—DSM STANYL TE250F6 (NYLON-46)
HEAT DEFLECTION TEMP.290°
BLACK COLOR, UL94V-0
- CONTACTS—0.35mm THICK PHOS-BRONZE PLATED
WITH 6u" HARD GOLD AND GOLD FLASH IN
SOLDER AREA.

CAVITY CONFIRMS TO FCC RULES AND REGULATIONS
PART 68,SUBPART F.



PCB LAYOUT (TOP VIEW)
RECOMMENDED

RoHS Compliant

TOLERANCES ARE

MORETHANALL
PCB CONNECTORS
Cable ASSEMBLIES

煜倫股份有限公司

www.morethanall.com

DRAWING BY CY

CHECKED BY GENIUS

UNIT / mm

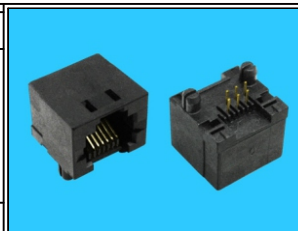
SCALE 1 : 1

DATE

SIZE A4

PJECTION

X, ±
.X ± 0.25
.XX ± 0.13
.XXX ± 0.05
ANG ±



ORDER INFORMATION

MJ13U-KX06-0606-LF

SERIES | 6P6C | LEADFREE
| 06u" GOLD |
NON EAR
BLACK

DESCRIPTION: