

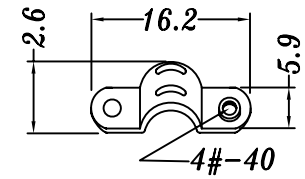
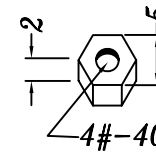
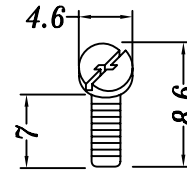
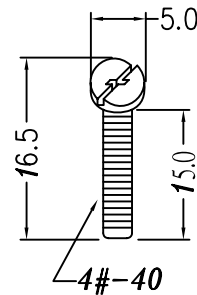
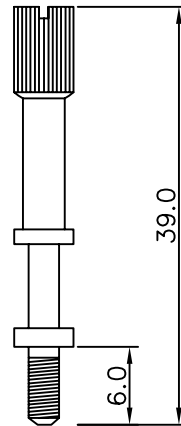
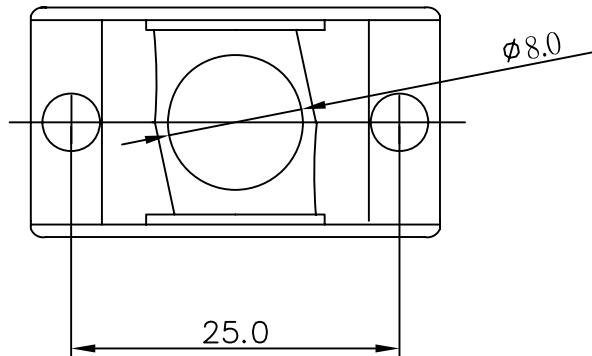
MATERIALS:

HOOD: ABS UL 94HB

COLOR BLACK OR METALIZED

SCREW: STEEL WITH NICKEL PLATED

CABIA CLIPPER: STEEL WITH NICKEL PLAED



RoHS Compliant

TOLERANCES ARE

MORETHANALL
PCB CONNECTORS
Cable ASSEMBLIES

DRAWING BY CY

CHECKED BY GENIUS

UNIT / mm

SCALE 1 : 1

DATE

SIZE A4

X, ±
.X ±
.XX ±
.XXX ±
ANG ±

P PROJECTION



ORDER INFORMATION

DKH-K1-09-LF
SERIES | T LEADFREE
| 09 WAY
| SINGLE PACKING
| BLACK

煜倫股份有限公司

www.morethanall.com

DESCRIPTION: