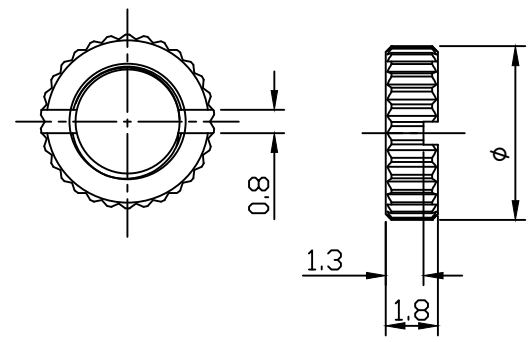


T:1.6 Dimensions of PC board holes
Tolerance : ±0.05(Printed-top view)



6	NUT	1	H59(COPPER ALLOY)	Ni PLATED
5	HOUSING	1	PBT	BLACK
4	AXIS SUPPORT	1	H59(COPPER ALLOY)	Ni PLATED
3	CURVE PIECE	1	C2680 t=0.30	Sn PLATED
2	SPRING PIECE	1	SUS 301 t=0.20	Sn PLATED
1	FIAT PIECE	1	C2680 t=0.30	Sn PLATED
LTR	PART NAME	QTY	MATERIAL	REMARK

UNLESS OTHERWISE SPECIFIED, TOLERANCE ON DECIMAL: ±0.3

RoHS Compliant

TOLERANCES ARE

MORETHANALL
PCB CONNECTORS
Cable ASSEMBLIES

DRAWING BY CY

X.±

CHECKED BY GENIUS

.X±

UNIT / mm

SCALE 1:1

.XX±

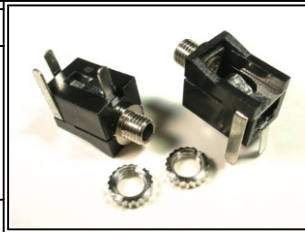
DATE

.XXX±

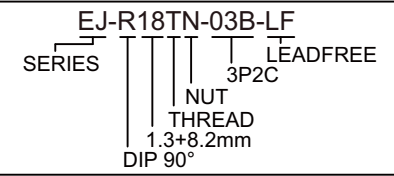
ANG ±

SIZE A4

P PROJECTION



ORDER INFORMATION



DESCRIPTION: MINIATURE JACK

煜倫股份有限公司

www.morethanall.com