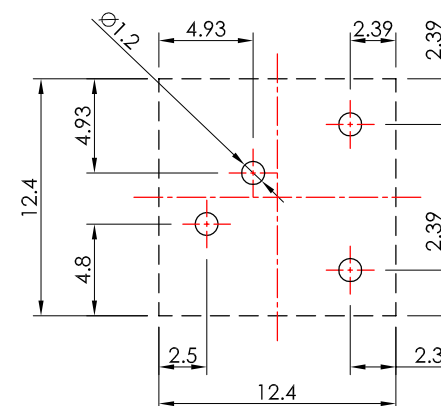


P.C.B. HOLE DETAIL



SPECIFICATION

Circuit: OFF-(ON).

Rating: 1A 125V AC.

Contact resistance: ≤30mΩ.(initial)

Insulation resistance: ≥100MΩ 500V DC.(initial)

Withstand voltage: 500V AC 1 minute.(initial)

Life: 40,000 Cycles.

Operating force: 250±50g.

Minimum load: 100mA 10V DC.(reference only)

Soldering temperature: 250°C Max for 3 Sec.

Soldering time: 1 time only.

MATERIAL

Actuator: ABS PA-777B.

Case: PBT+30%GF.

Movable contact: Beryllium copper, gold plated.

Stationary contact & terminal: Copper, gold plated.

BUTTON COLOR	
RD	Red
BL	Blue
BK	Black
YL	Yellow
OR	Orange
GE	Gray
GR	Green
WH	White

RoHS Compliant

TOLERANCES ARE

MORETHANALL
PCB CONNECTORS
Cable ASSEMBLIES

煜倫股份有限公司

www.morethanall.com

DRAWING BY CY

CHECKED BY GENIUS

UNIT / mm

SCALE 1 : 1

DATE

SIZE A4

PPOJECTION

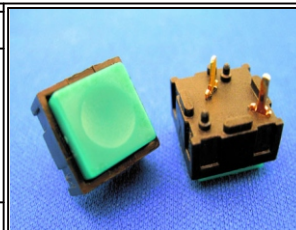
X, ±

.X ±

.XX ±

.XXX ±

ANG ±



ORDER INFORMATION

PB1212-DPxx-02-LF

SERIES | LEADFREE
02 WAY
DIP 180° | RD:RED
WH:WHITE
POST

DESCRIPTION: