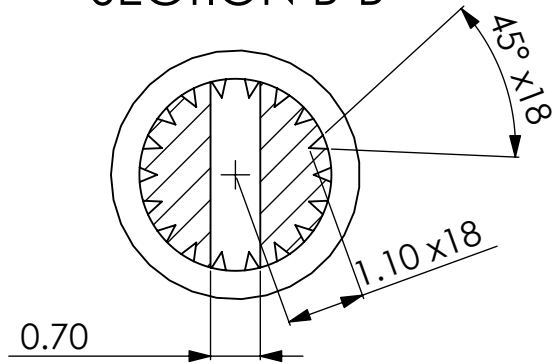
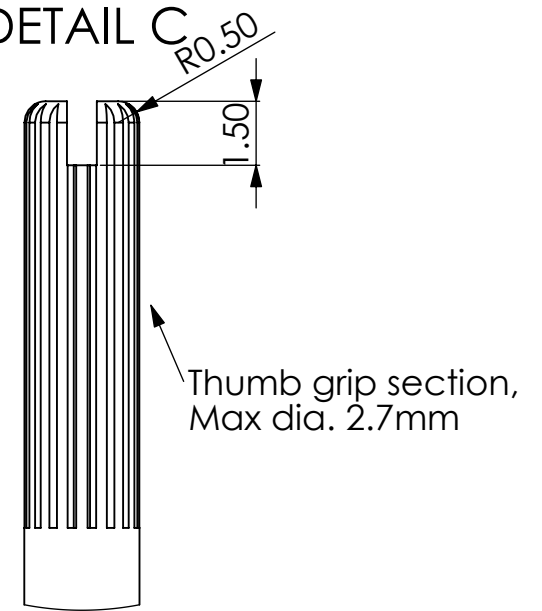


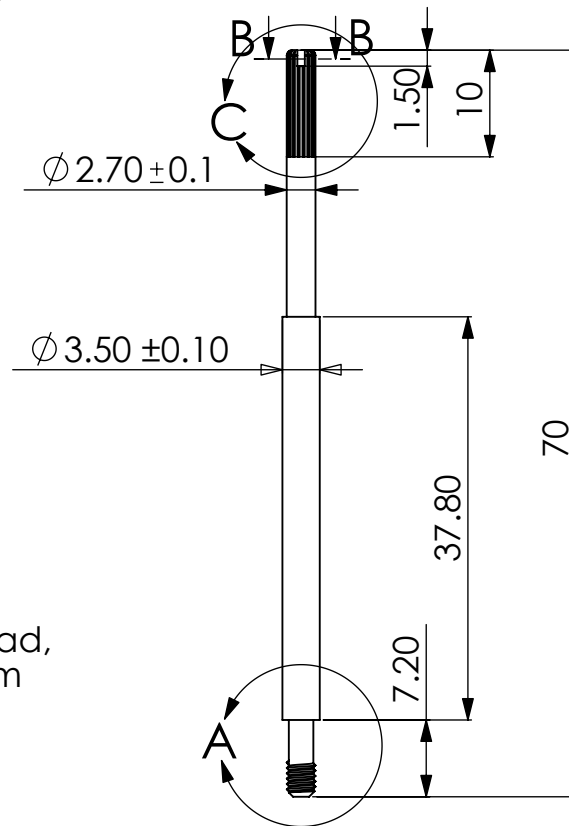
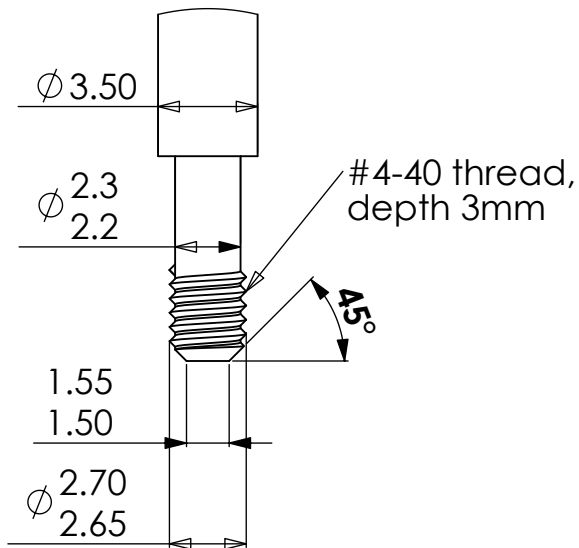
### SECTION B-B



### DETAIL C



### DETAIL A



Dimensions: mm  
Material: Stainless Steel

**RoHS Compliant**

TOLERANCES ARE

**MORETHANALL**  
PCB CONNECTORS  
Cable ASSEMBLIES

DRAWING BY CY

X. ±

CHECKED BY GENIUS

.X ±

UNIT / mm

SCALE 1 : 1

.XX ±

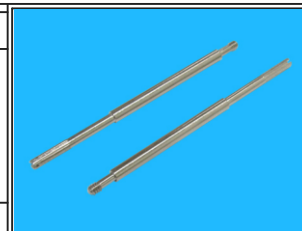
DATE

.XXX ±

ANG ±

SIZE A4

PJECTION



**ORDER INFORMATION**

TS-70-D35-LF  
SERIES | LEADFREE  
OD: 3.5Ø  
LONG 70mm

煜倫股份有限公司

www.morethanall.com

DESCRIPTION: