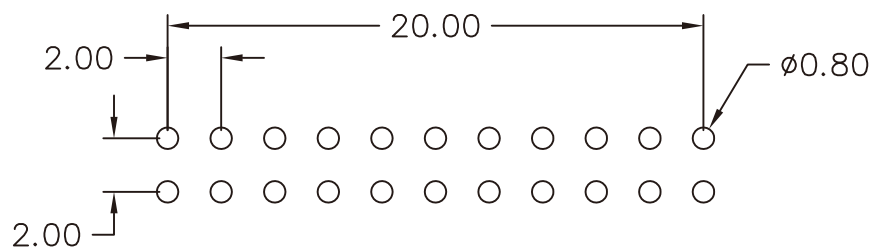
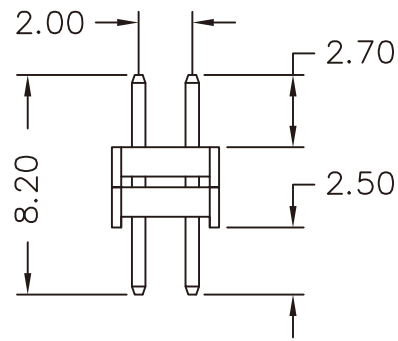
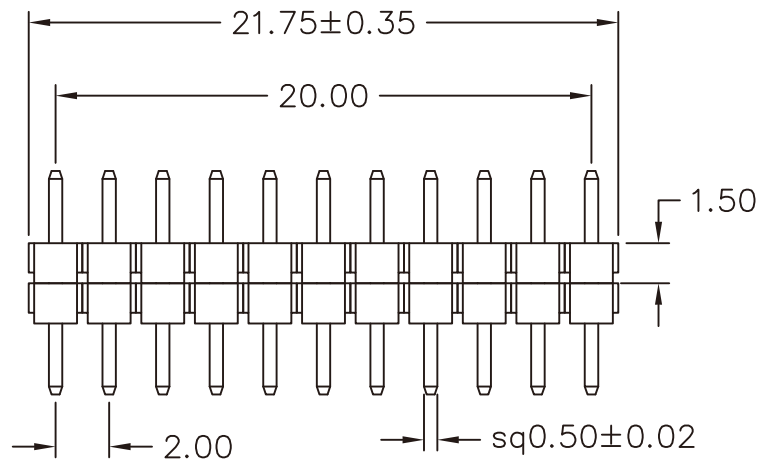


MATERIAL

Contact Pin : Brass

SPECIFICATION

Current Rate : 1 AMP
 Insulation Resistance : 5000MΩMin. at DC 500V
 Contact Resistance : 20mΩMax. at DC 100mA
 Dielectric Voltage : AC 500V for one minute



Recommended P.C.B Layout

RoHS Compliant

TOLERANCES ARE



煜倫股份有限公司

www.morethanall.com

DRAWING BY CY

CHECKED BY GENIUS

UNIT / mm

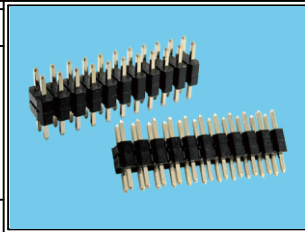
SCALE 1 : 1

DATE

SIZE A4

P PROJECTION

X. ±
 .X ± 0.30
 .XX ± 0.20
 .XXX ±
 ANG ±



ORDER INFORMATION

MS-D0822725-2X11-LF
 SERIES | DIP 2.5mm | CONTACT 2.7mm | TOTAL 8.2mm | DIP180°
 LEADFREE
 22 WAY

DESCRIPTION: PIN HEADER 2.00*2.00mm STRAIGHT TYPE, DUAL ROWS DUAL INSULATORS