

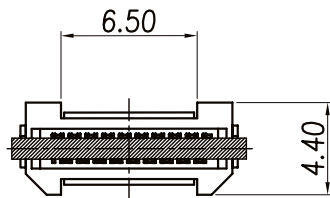
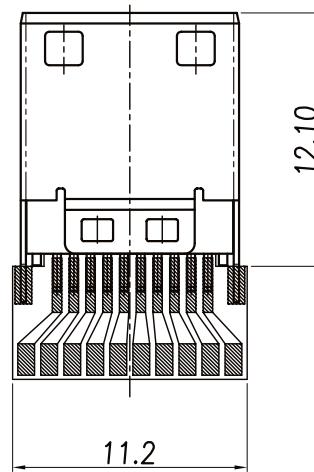
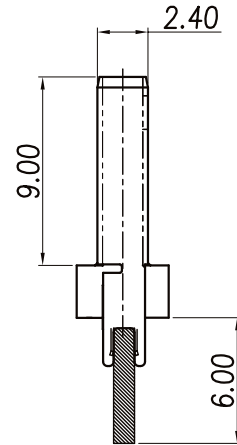
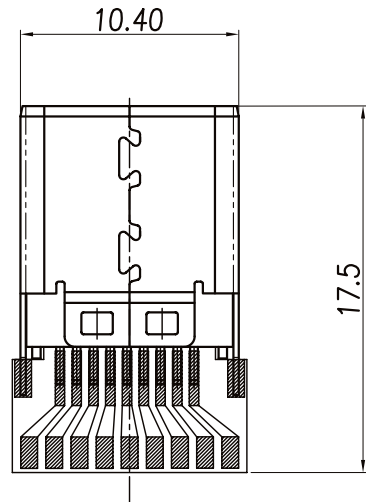
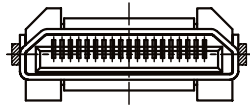
NOTE:

1. MATERIAL :

- 1-1. FRONT HOUSING : LCP UL94V-0 ; COLOR : black
- 1-2. BACK HOUSING : LCP UL94V-0 ; COLOR : black
- 1-2. CONTACT : BRONZE
- 1-3. SHELL : BRASS

2. FINISH :

- 2-1. CONTACT :
 CONTACT AREA : GOLD 15u"
 SOLDER AREA : TIN 100u"
 UNDER PLATE : NICKEL
- 2-2. SHELL : TABLE A



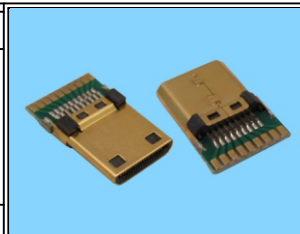
RoHS Compliant

TOLERANCES ARE

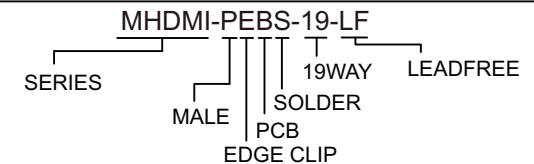
MORETHANALL
 PCB CONNECTORS
 Cable ASSEMBLIES

DRAWING BY CY
 CHECKED BY GENIUS
 UNIT/ mm SCALE 1:1
 DATE

X.±
 .X±
 .XX±
 .XXX±
 ANG±



ORDER INFORMATION



www.morethanall.com

SIZE A4

PPOJECTION

DESCRIPTION: HDMI 19PIN(M) 成型+PCB