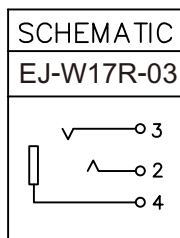


T:1.6 Dimensions of PC board holes  
Tolerance : ±0.05(Printed-top view)



4	HOUSING	1	PA9T		UL-94V0(BLACK)
3	SPRING PIECE	1	C5191	t=0.20	Ag PLATED
2	SPRING PIECE	1	C5191	t=0.20	Ag PLATED
1	CONTACT FOOT	1	C5191	t=0.20	Ag PLATED
LTR	PART NAME	QTY	MATERIAL		REMARK

UNLESS OTHERWISE SPECIFIED, TOLERANCE ON DECIMAL: ±0.2

RoHS Compliant

TOLERANCES ARE

**MORETHANALL**  
PCB CONNECTORS  
Cable ASSEMBLIES

DRAWING BY CY

X.±

CHECKED BY GENIUS

.X±

UNIT / mm

SCALE 1 : 1

.XX±

DATE

.XXX±

ANG±

SIZE A4

PJECTION



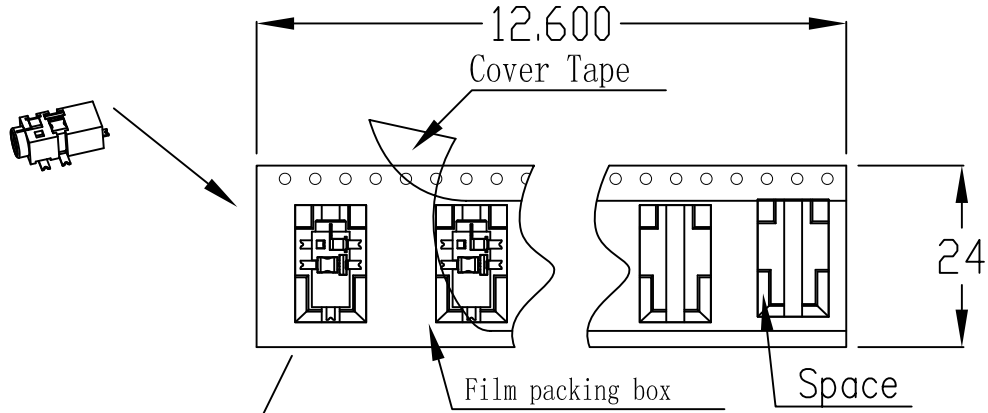
ORDER INFORMATION

EJ-W17R-03-LF  
SERIES | LEADFREE  
3 WAY  
REEL  
POST 1.5+7.0mm  
90°SMT

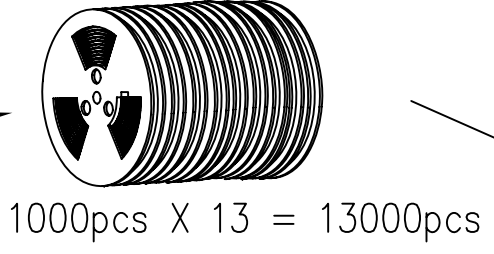
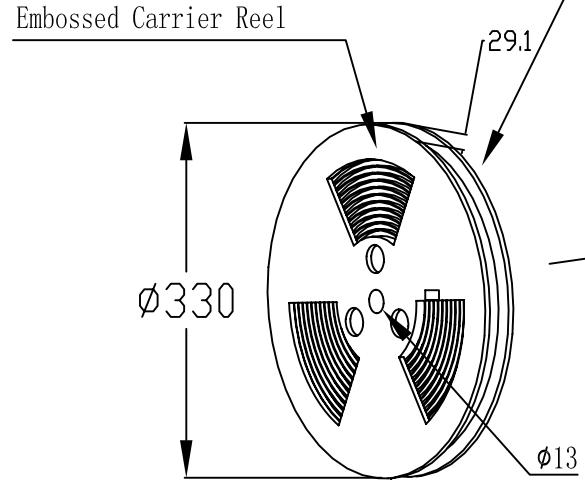
煜倫股份有限公司

www.morethanall.com

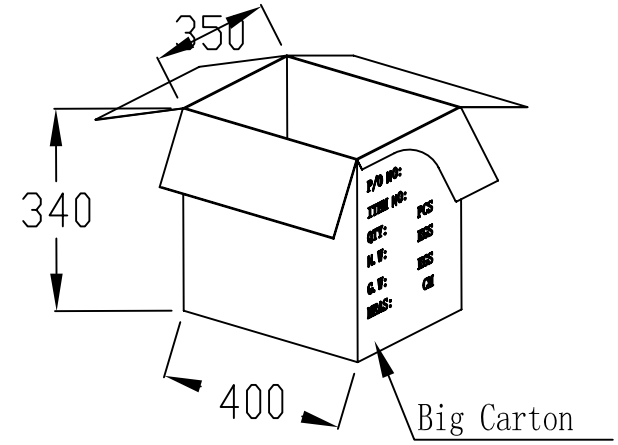
DESCRIPTION: MINIATURE JACK



1000pcs X 1 = 1000pcs



Net weight:4.5Kg  
Total weight:10Kg



13000pcs X 1 = 13000pcs

Unit:mm  
Packing temperature request:  
160°C~180°C

**RoHS Compliant**

TOLERANCES ARE

**MORETHANALL**  
PCB CONNECTORS  
Cable ASSEMBLIES

DRAWING BY CY

X.±

CHECKED BY GENIUS

.X±

UNIT/mm

SCALE 1:1

.XX±

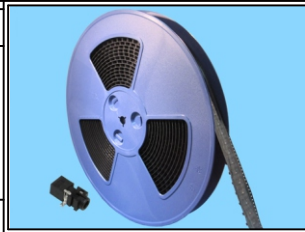
DATE

.XXX±

ANG±

SIZE A4

PJECTION



**ORDER INFORMATION**

EJ-W17R-03-LF  
SERIES | LEADFREE  
3 WAY  
REEL  
POST 1.5+7.0mm  
90°SMT

**煜倫股份有限公司**

[www.morethanall.com](http://www.morethanall.com)

DESCRIPTION: MINIATURE JACK