

NOTE:

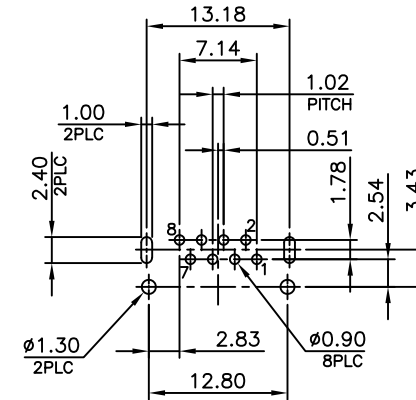
CAVITY CONFIRMS TO FCC RULES AND REGULATIONS PART 68, SUBPART F.

1. MATERIAL:

- 1.1 HOUSING: PA9T, WITH GLASS FIBER, UL94V-0, STANDARD COLOR-BLACK.
- 1.2 INSERT HOUSING: PA9T, WITH GLASS FIBER, UL94V-0, STANDARD COLOR-BLACK.
- 1.3 CONTACTS: PHOSPHOR BRONZE.
- 1.4 SHELL: BRASS.

2. FINISH:

- 2.1 CONTACTS: 0.152 $\mu$ m [6 $\mu$ "] GOLD PLATED ON CONTACT AREA, GOLD FLASH ON SOLDER TAIL, 1.27 $\mu$ m [50 $\mu$ "] MIN. NICKEL UNDERPLATED OVERALL.
- 2.2 SHELL: 0.508 $\mu$ m [20 $\mu$ "] MIN. NICKEL PLATED.



RECOMMENDED PCB LAYOUT  
PCB THICKNESS: 1.6mm  
TOLERANCE:  $\pm 0.05$ mm (TOP VIEW)

RoHS Compliant

TOLERANCES ARE

**MORETHANALL**  
PCB CONNECTORS  
Cable ASSEMBLIES

DRAWING BY CY

CHECKED BY GENIUS

UNIT / mm

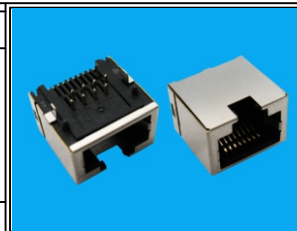
SCALE 1 : 1

DATE

SIZE A4

X.  $\pm$   
.X  $\pm 0.25$   
.XX  $\pm 0.13$   
.XXX  $\pm 0.05$   
ANG  $\pm$

PPOJECTION



ORDER INFORMATION

MJF11U-KX06B3-0808-LF

SERIES

LEADFREE

8P8C

REAR TAB 3.43mm

BLACK

06u" GOLD

NON EAR

煜倫股份有限公司

www.morethanall.com

DESCRIPTION: RJ45 RECEPTACLE CONNECTOR WITH SHELL, DIP TYPE