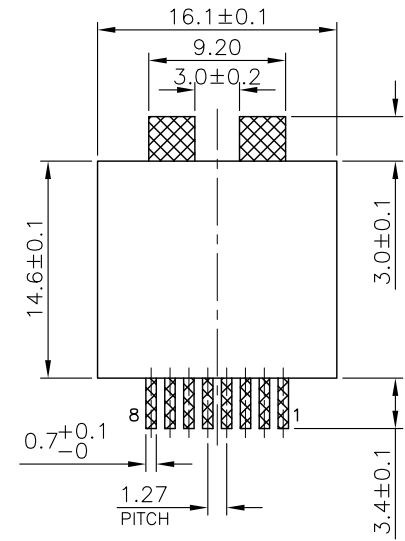
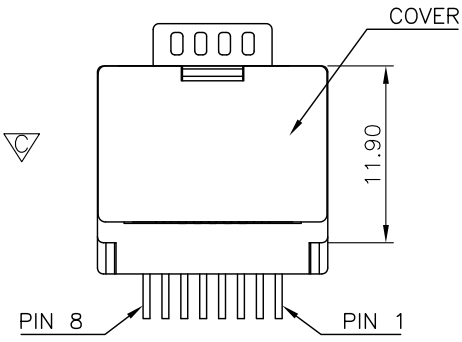
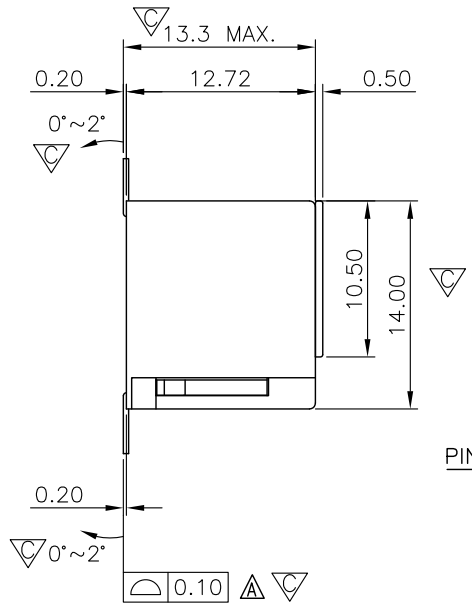
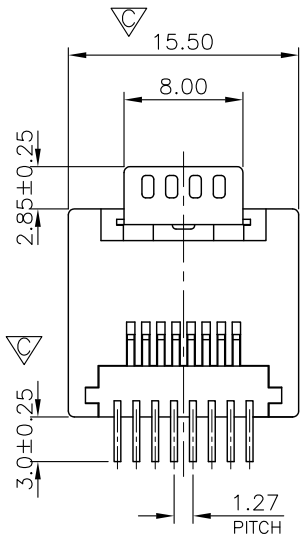


NOTE:
 CAVITY CONFIRMS TO FCC RULES AND REGULATIONS PART 68, SUBPART F.

1. MATERIAL:
- 1.1 HOUSING: PA9T, WITH GLASS FIBER, UL94V-0, STANDARD COLOR-BLACK.
 - 1.2 INSERT HOUSING & COVER: PA46, WITH GLASS FIBER, UL94V-0, STANDARD COLOR-BLACK.
 - 1.3 CONTACTS: PHOSPHOR BRONZE.
 - 1.4 HOLD DOWN: BRASS.
2. FINISH:
- 2.1 CONTACTS: GOLD PLATED ON CONTACT AREA, GOLD FLASH ON SOLDER TAIL, 1.27μm [50μ"] MIN. NICKEL UNDERPLATED OVERALL.
 - 2.2 HOLD DOWN: 1.27μm [50μ"] MIN. MATTE TIN PLATED.

"C" SHOWS QIP INSPECTION POINT.



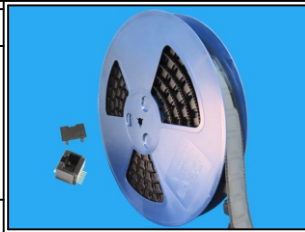
RECOMMENDED PCB LAYOUT
 PCB THICKNESS: 1.6mm
 TOLERANCE: ±0.05mm (TOP VIEW)

RoHS Compliant

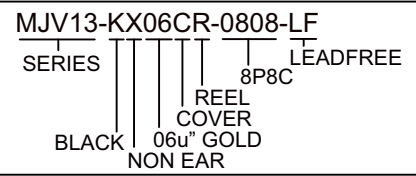
TOLERANCES ARE



DRAWING BY CY		X, ±
CHECKED BY GENIUS		.X ± 0.25
UNIT / mm	SCALE 1 : 1	.XX ± 0.13
DATE		.XXX ± 0.05
		ANG ±



ORDER INFORMATION



煜倫股份有限公司

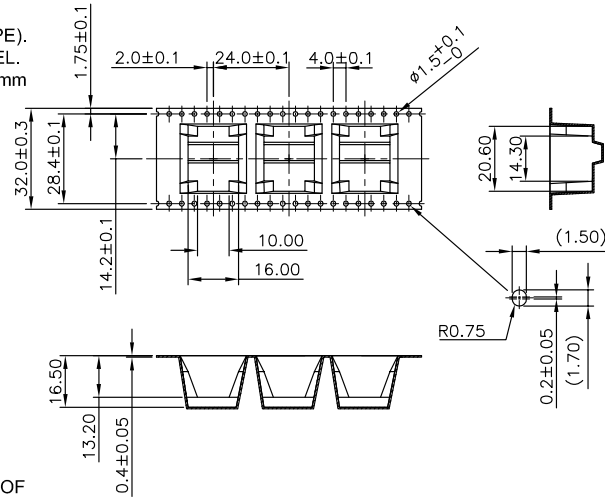
www.morethanall.com

SIZE A4 PROJECTION

DESCRIPTION: 8POSITION, SMT TYPE, TOP ENTRY PCB JACK

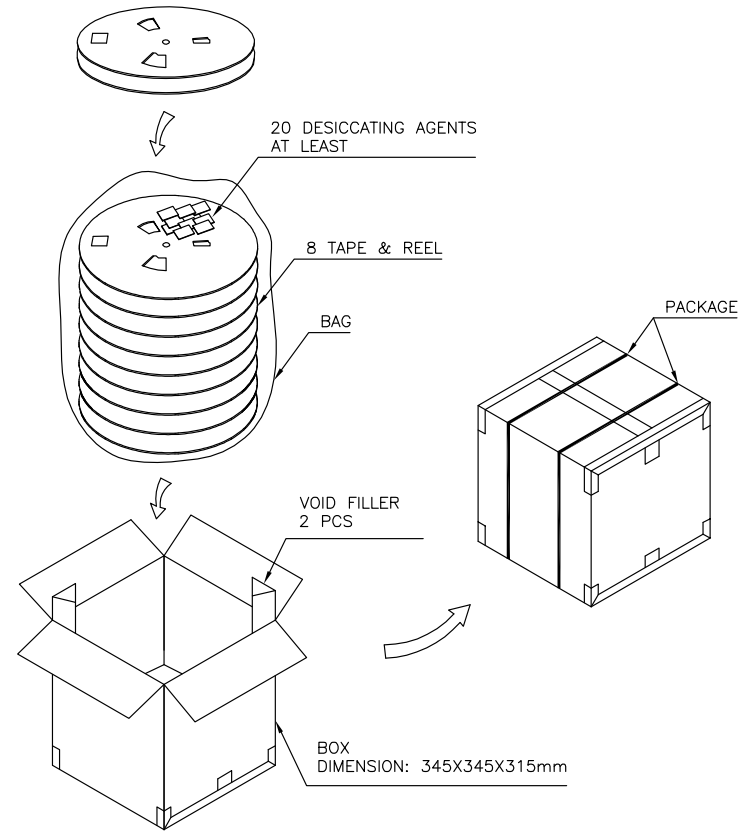
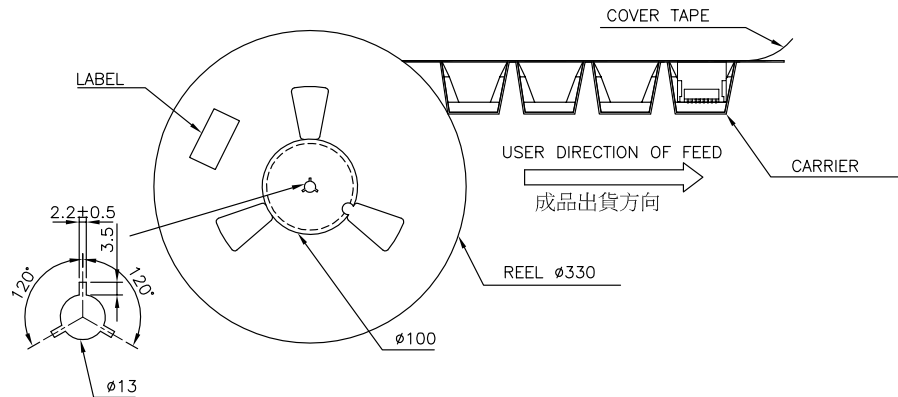
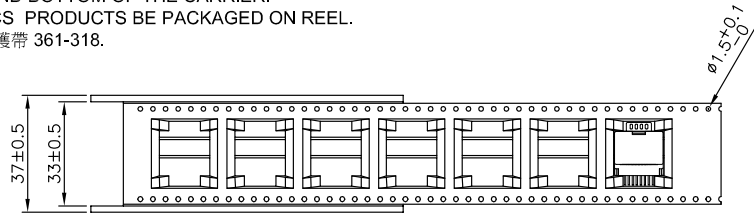
MATERIALS:

- 1.CARRIER-PS (0.40mm THICK TAPE).
- 2.REEL-2mmTHICK PLASTIC WHEEL.
- 3.COVER TAPE-PE (0.045mm~0.12mm THICK TAPE).



NOTES:

1. 10 EMPTY CAVITIES FOR BOTH OF TOP AND BOTTOM OF THE CARRIER.
2. 180 PCS PRODUCTS BE PACKAGED ON REEL.
3. 軸外保護帶 361-318.



- KG	- KG	1440	8	180
GROSS WEIGHT (REF.)	NET WEIGHT (REF.)	PCS/BOX	REELS/BOX	PCS/REEL

RoHS Compliant

TOLERANCES ARE

MORETHANALL
PCB CONNECTORS
Cable ASSEMBLIES

DRAWING BY CY

CHECKED BY GENIUS

UNIT / mm

SCALE 1 : 1

DATE

SIZE A4

PJECTION

X, ±
.X ± 0.30
.XX ± 0.20
.XXX ± 0.10
ANG ± 1°



ORDER INFORMATION

MJV13-KX06CR-0808-LF

SERIES REEL COVER NON EAR
BLACK 06u" GOLD
8P8C LEADFREE

DESCRIPTION: 8P用 TAPE & REEL PACKAGE SPEC.

煜倫股份有限公司

www.morethanall.com