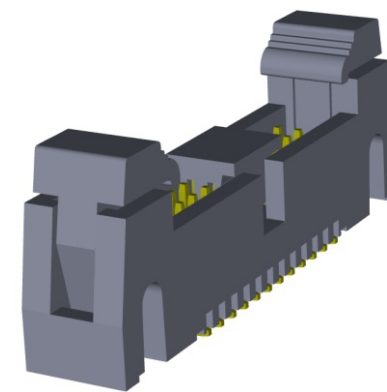


Recommended P.C. Board  
Hole Layout

Current Rating and Voltage: 1 Amps 250V AC (r.m.s)  
 Insulator Resistance: 5000 Megohms min  
 Contact Resistance: 20 m ohms max  
 Dielectric Withstanding: 500 V AC  
 Operating Temperature: - 40° ~ +125° C  
 Max Processing Temp: 230° C for 60 seconds  
 Max Processing Temp: 260° C for 10 seconds  
 Contact Material: Copper Alloy  
 Insulator Material: Standard: LCP  
 Finish: Standard:Gold Flash all over



Circuits	Dimension			Circuits	Dimension		
	A	B	C		A	B	C
6	2.54	18.31	8.46	34	20.32	36.09	26.24
10	5.08	20.85	11.00	40	24.13	39.90	30.05
12	6.35	22.12	12.27	44	26.67	42.44	32.59
14	7.62	23.39	13.54	50	30.48	46.25	36.40
16	8.89	24.66	14.81	60	36.83	52.60	42.75
20	11.43	27.20	17.35	64	39.37	55.14	45.29
26	15.24	31.01	21.16	66	40.64	56.41	46.56
30	17.78	33.55	23.70	68	41.91	57.68	47.83

RoHS Compliant

TOLERANCES ARE



煜倫股份有限公司

www.morethanall.com

DRAWING BY CY

CHECKED BY GENIUS

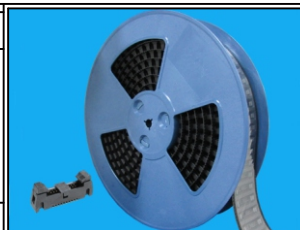
UNIT / mm SCALE 1 : 1

DATE

SIZE A4

X.±  
 .X±  
 .XX±  
 .XXX±  
 ANG±

PJECTION



ORDER INFORMATION

HAL-VCR-xxx-LF  
 SERIES | LEADFREE  
 REEL  
 CAP  
 180° SMT

DESCRIPTION:

Notes:

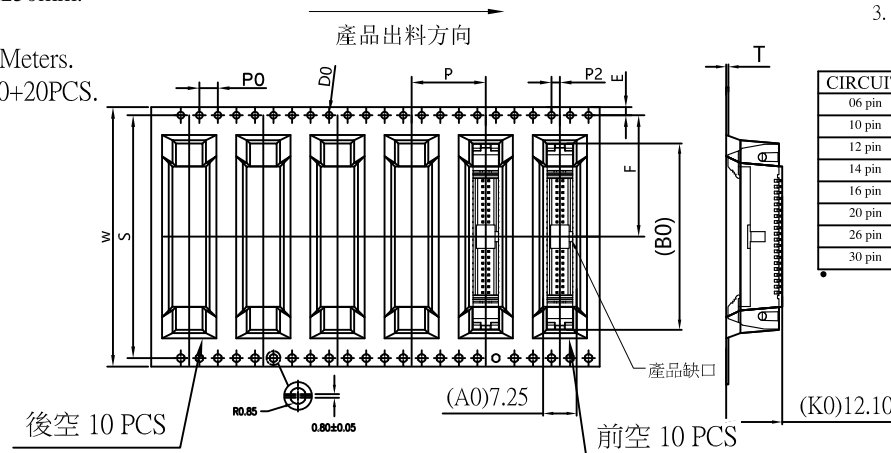
1. Packing Conforms EIA-481-B Standards.
2. 10 sprocket hole pitch cumulative
3. Carrier camber is within 1mm in 250mm.
4. Material: BLACK Polystyrene.
5. Packing length per 13" Reel: 5.76 Meters.
6. Component load per 13" Reel: 340+20 PCS.

W	$\pm 0.30$ $\pm 0.30$	T	$0.50 \pm 0.05$	P0	$4.00 \pm 0.10$	A0	$7.56 \pm 0.15$	A1	
S		F	$\pm 0.15$	P2	$2.00 \pm 0.15$	B0	$\pm 0.10$	B1	
E	$1.75 \pm 0.10$	P	$16.00 \pm 0.10$	D0	$\phi 1.50$ $\pm 0.10$	K0	$12.10 \pm 0.15$	K1	

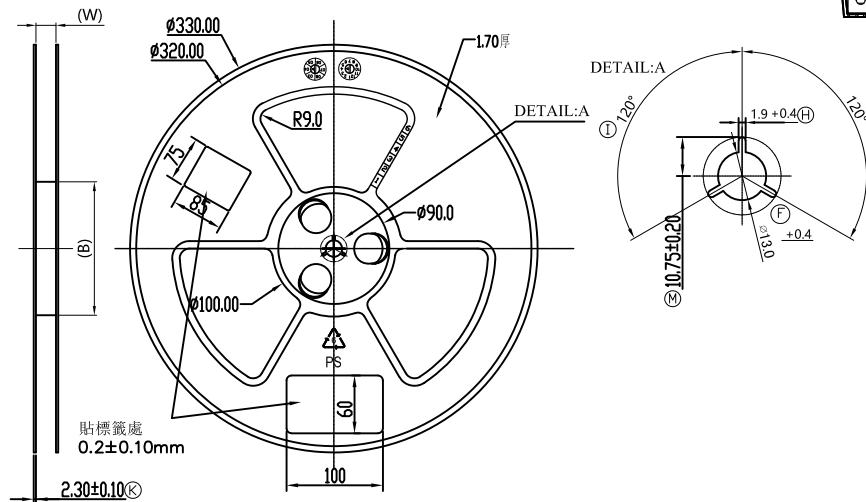
Packing instructions :

1. As shown in the figure, put the finished products into the reels, with 340pcs / reel; Before and after the empty 10 PCS
2. Put the finished product reel into the box, 5 rolls / box 1700/ box;
3. The four corners of the carton shall be sealed with adhesive tape, Attach shipping label .

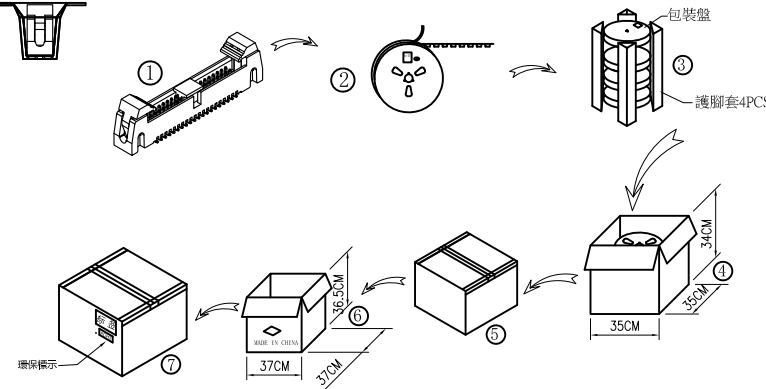
Tape Width	B $\pm 0.3$ mm	W $\pm 1$ mm
12mm	$\phi 100$ mm	12.4mm
16mm		16.4mm
24mm		24.4mm
32mm		32.4mm
44mm		44.4mm
56mm		56.4mm
72mm		72.4mm



CIRCUITS	W	B0	F	CIRCUITS	W	B0	F
06 pin		18.61		34 pin	56	36.39	26.20
10 pin		21.15		40 pin	56	40.20	26.20
12 pin		22.42		44 pin		42.74	
14 pin		23.69		50 pin		46.55	
16 pin		24.96		60 pin		52.90	
20 pin		27.50		64 pin		55.44	
26 pin	44	31.31	20.20	66 pin		56.71	
30 pin		33.85		68 pin		57.98	



注：旋轉式REEL



RoHS Compliant

TOLERANCES ARE

**MORETHANALL**  
PCB CONNECTORS  
Cable ASSEMBLIES

DRAWING BY CY

X, ±

CHECKED BY GENIUS

.X ±

UNIT / mm

SCALE 1 : 1

.XX ±

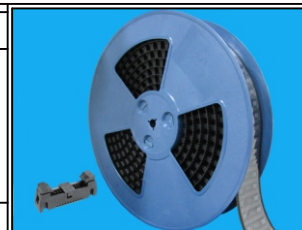
DATE

.XXX ±

SIZE A4

P PROJECTION

ANG ±



ORDER INFORMATION

HAL-VCR-xxx-LF  
SERIES | LEADFREE  
006-068 WAY  
REEL  
CAP  
180° SMT

煜倫股份有限公司

www.morethanall.com

DESCRIPTION: